

FANTIC

E-Bike **Catalogue**



EN

20
23

Company	03
Fantic philosophy	05
E-Bikes overview	06
E-MTB Trail	08
E-MTB All Mountain	29
E-MTB Enduro	36
E-MTB Downhill	43
E-MTB Hardtail	48
Issimo	53
Trekking	62
Specifications	73

Fantic is a brand with more than 50 years of history.

We design, engineer and assemble high-performance electric bikes, with a view to enhancing our customers' experience. We focus on **design & technology** without compromise. We are a powerful e-motion.





Fantic **philosophy**



Control



Handling



Exclusivity



Mileage

01

Mileage

Fantic designs its **E-Bikes** with a view to ensuring the best **performance of the battery and electric motor**. New integrated 720Wh Battery / compact 369mm 40-cell battery. **The Rosenberg magnetic connector ensures a long lifespan** even when operated under high loads. We have introduced a dedicated management system to optimize battery consumption.

02

Handling

Riding a **Fantic E-Bikes** has **never been so easy**, even on the hardest single-track and enduro tracks. Our E-MTBs are built to have: short integrated battery (only 369mm vs 400mm of the competition) and reduce the yaw inertia and lowers the center of gravity, easy change of direction. **Optimized Motor & Battery layout**. Powertrain at the center of the bike enhancing weight distribution & lowering yaw inertia. Wheel 29 to safely overcome bigger obstacles and reduced gyro effect to further improve easy change of direction **advanced hydroforming for high stiffness of the frame**, rigid rear triangle achieved through forged cantilever, oversized bearings, single pivot configuration and oversized chain stays. FEM analyzed optimized top, down & steering tubes and junctions. Rigid front triangle for predictable handling.

*The bike in the photo refers to the **XTF 1.6 Carbon Factory** model.

Exclusivity

UX design & Engineering **made in Italy**. All **E-Bikes** (Frames, Group sets & Powertrains) fully designed, engineered & assembled in Europe (Italy & Germany). **Exclusive new 720Wh battery designed by Fantic**. Based on over 50 years of expertise, engineering & Italian design, **Fantic** bikes provide the end-consumer with the best experience available on the market. Battery upper release. Prevents: having a dirty battery, hitting the ground when releasing it or having to put the bike upside down to remove it.

03

Control

The rear suspension linkage features **FPS (Fantic Progression System)**, to ensure excellent grip performance on any terrain. In collaboration with **Acerbis**, our R&D department has designed and developed an **'injected composite'** rear chainstay strut. This novel technology not only allows the brace to perform and respond better and more quickly on uneven terrains compared to other materials, but also instantly gives it a new look. This innovative technology will be applied to the Trail Alu, All-Mountain, Enduro and DH segments. Our engineers carefully select the **motors we use to offer the best torque even at a low pedalling frequency** (between 60-90 pedal strokes per minute), up to a maximum torque of 120 Nm (*). The combined 29/27.5-inch wheels, the result of Fantic's expertise in the motorcycle industry, delivers unrivalled control. (*) in the ISSIMO 45 model.



Index

E-MTB
Trail
Pag. 11



XTF 1.6 Carbon Factory XTF 1.6 Carbon Race XTF 1.6 Carbon Sport



XTF 1.5 Carbon XTF 1.5 Race-Y XTF 1.5 Sport-Y XTF 1.5 All Track



XTF 1.5 Race XTF 1.5 Sport XTF 1.5

E-MTB
All Mountain
Pag. 11



XMF 1.7 Carbon Race XMF 1.7 Carbon Sport XMF 1.7

E-MTB
Enduro
Pag. 11



XEF 1.9 Factory XEF 1.9 Race XEF 1.8 Sport

(* FANTIC MOTOR reserves the right to modify technical characteristics without prior notice. All images are included for illustrative purposes. Products are subject to change.

E-MTB
Downhill
Pag. 11



XXF 2.0 Factory

XXF 2.0 Race

E-MTB
Hard Tail
Pag. 11



Fat Sport

Integra XF2

Issimo
Pag. 11



Issimo Fun

Issimo Urban

Issimo 45

Trekking
Pag. 11



Seven Days Living

Seven Days Living Easy

Living



Living Easy

Living City

(* FANTIC MOTOR reserves the right to modify technical characteristics without prior notice. All images are included for illustrative purposes. Products are subject to change.





E-MTB Trail



The **Trail** range comprises 10 different models, with carbon and aluminium frames, all full suspended with 150 or 160 mm front travel.

They are fitted with **Brose and Yamaha** motors in order to achieve the best possible performance.

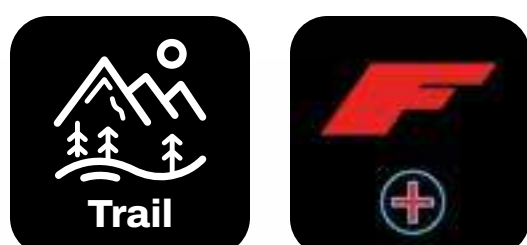
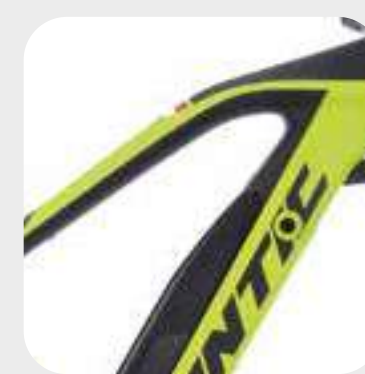
All Fantic frames are designed and developed in-house by strictly applying our four design principles (handling, control, mileage and exclusivity) to produce high-performing and adrenaline-pumping bikes.

The **XTF 1.6 Carbon Factory** is the flagship product in the range, currently the lightest and best-performing **Trail E-MTB** on the market, which only weighs 19.9 kg.

(* FANTIC MOTOR reserves the right to modify technical characteristics without prior notice. All images are included for illustrative purposes. Products are subject to change.

XTF 1.6 Carbon Factory

Colour options:
lime



Colour: **cool gray**

Technical specifications



Carbon, sizes: S - M - L - XL



Sram X-Glide Rainbow, 12V, 10-52



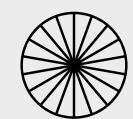
Brose S-Mag 36,
Torque/Coppia: 90 Nm



Magura MT Trail Sport 4 Piston disc brake



Fantic, Lithium Ion, 36 Volt, 720Wh



FSA KFX Carbon 29"



RockShox Lyrik Ultimate 160mm



Pirelli Scorpion ProWall Trail



RockShox Deluxe Ultimate



Selle Italia SLR Boost Superflow

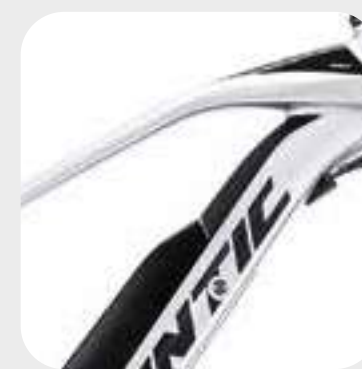
(* FANTIC MOTOR reserves the right to modify technical characteristics without prior notice.
All images are included for illustrative purposes. Products are subject to change.



(*) FANTIC MOTOR reserves the right to modify technical characteristics without prior notice. All images are included for illustrative purposes. Products are subject to change.

XTF 1.6 Carbon Race

Colour options:
cool gray



Colour: **lime**

Technical specifications



Carbon, sizes: S - M - L - XL



SunRace SilverRed, 12V, 11-51



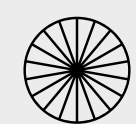
Brose S-Mag 36,
Torque/Coppia: 90 Nm



Sram G2 RS 4 Piston disc brake



Fantic, Lithium Ion, 36 Volt, 720Wh



FSA i29 Carbon 29"



RockShox Lirix Select 160mm



Pirelli Scorpion ProWall Trail



RockShox Deluxe Select+



Selle Italia Novus Boost
X-Cross Superflow

(* FANTIC MOTOR reserves the right to modify technical characteristics without prior notice.
All images are included for illustrative purposes. Products are subject to change.

Control, handling, exclusivity, mileage.

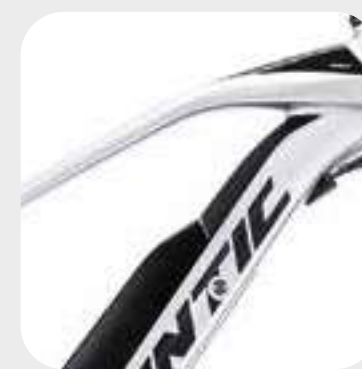


(*) FANTIC MOTOR reserves the right to modify technical characteristics without prior notice. All images are included for illustrative purposes. Products are subject to change.

Control, handling, exclusivity, mileage.

XTF 1.6 Carbon Sport

Colour options:
cool gray



Colour: **lime**

Technical specifications



Carbon, sizes: S - M - L - XL



Sram SX, 12V, 11-50



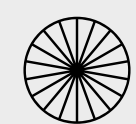
Brose S-Mag 36,
Torque/Coppia: 90 Nm



Sram G2 RS 4 Piston disc brake



Fantic, Lithium Ion, 36 Volt, 720Wh



Rodi READY27 - 29"



RockShox Lyrik Select 160mm



Pirelli Scorpion ProWall Trail



RockShox Deluxe Select+



Selle Italia X Bow Superflow

(* FANTIC MOTOR reserves the right to modify technical characteristics without prior notice.
All images are included for illustrative purposes. Products are subject to change.

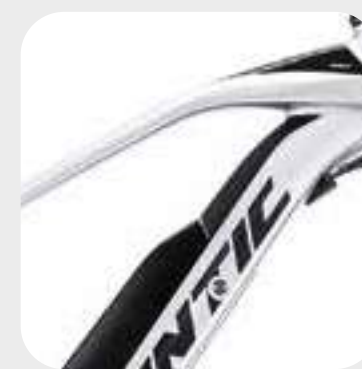
Control, handling, exclusivity, mileage.



(*) FANTIC MOTOR reserves the right to modify technical characteristics without prior notice. All images are included for illustrative purposes. Products are subject to change.

XTF 1.5 Carbon

Colour options:
cool gray



Colour: **lime**

Technical specifications



Carbon, sizes: S - M - L - XL



Sram SX, 12V, 11-51



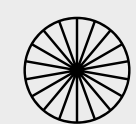
Brose S-Mag 36,
Torque/Coppia: 90 Nm



Sram GUIDE T 4 Piston disc brake



Fantic, Lithium Ion, 36 Volt, 720Wh



Rodi READY27- 29"



RockShox 35 Gold RL 150mm



Pirelli Scorpion ProWall Trail



RockShox Deluxe Select+



Selle Italia Model-X
Comfort Superflow 145

(* FANTIC MOTOR reserves the right to modify technical characteristics without prior notice. All images are included for illustrative purposes. Products are subject to change.

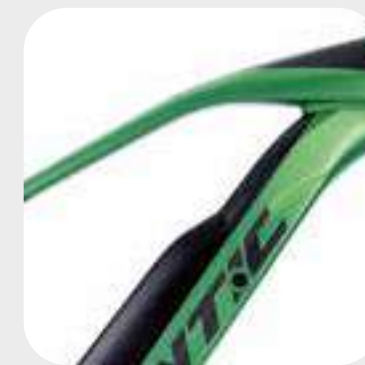
Control, handling, exclusivity, mileage.



(*) FANTIC MOTOR reserves the right to modify technical characteristics without prior notice. All images are included for illustrative purposes. Products are subject to change.

XTF 1.5 Race-Y

Colour options:
green



Colour: **grey**

Technical specifications

Seatstays made of "injected composite"



Aluminum, sizes: S - M - L



Sram SX, 12V, 11-50



Yamaha PW X3,
Torque/Coppia: 85 Nm



Sram Guide T 4 Piston disc brake



Fantic, Lithium Ion, 36 Volt, 630Wh



Rodi TRYP30 - 29"



RockShox 35 Gold RL - 29" 150mm



Pirelli Scorpion ProWall Trail



RockShox Deluxe Select+



Selle Italia Model-X
Comfort Superflow 145

(* FANTIC MOTOR reserves the right to modify technical characteristics without prior notice. All images are included for illustrative purposes. Products are subject to change.

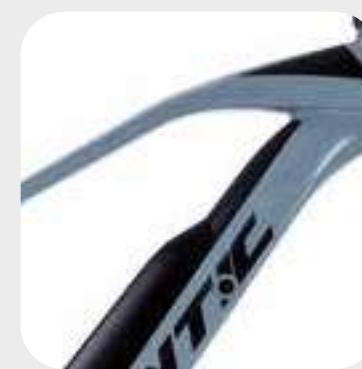
Control, handling, exclusivity, mileage.



(*) FANTIC MOTOR reserves the right to modify technical characteristics without prior notice. All images are included for illustrative purposes. Products are subject to change.

XTF 1.5 Race-Y

Colour options:
grey



Colour: **green**

Technical specifications

Seatstays made of "injected composite"



Aluminum, sizes: S - M - L



Sram SX, 12V, 11-50



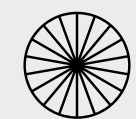
Yamaha PW X3,
Torque/Coppia: 85 Nm



Sram Guide T 4 Piston disc brake



Fantic, Lithium Ion, 36 Volt, 630Wh



Rodi TRYP30 - 29"



RockShox 35 Gold RL 150mm



Pirelli Scorpion ProWall Trail



RockShox Deluxe Select+



Selle Italia Model-X
Comfort Superflow 145

(* FANTIC MOTOR reserves the right to modify technical characteristics without prior notice. All images are included for illustrative purposes. Products are subject to change.

Control, handling, exclusivity, mileage.

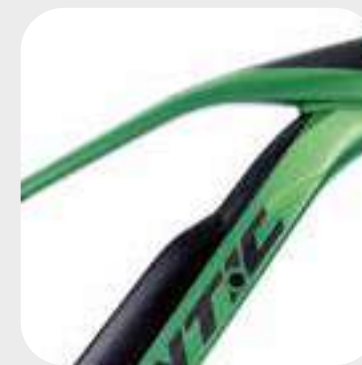




(*) FANTIC MOTOR reserves the right to modify technical characteristics without prior notice. All images are included for illustrative purposes. Products are subject to change.

XTF 1.5 All Track

Colour options:
green



Colour: **grey**

Technical specifications

Seatstays made of "injected composite"



Aluminum, sizes: S - M - L



Sram SX, 12V, 11-50



Yamaha PW X3,
Torque/Coppia: 85 Nm



Sram Level 2 Piston disc brake



Fantic, Lithium Ion, 36 Volt, 630Wh



Rodi TRYP30 - 29"



RockShox Recon Silver RL 150mm



Pirelli Scorpion ProWall Trail



RockShox Deluxe Select



Selle Italia MODEL-X
Comfort Superflow 145

(* FANTIC MOTOR reserves the right to modify technical characteristics without prior notice. All images are included for illustrative purposes. Products are subject to change.

Control, handling, exclusivity, mileage.

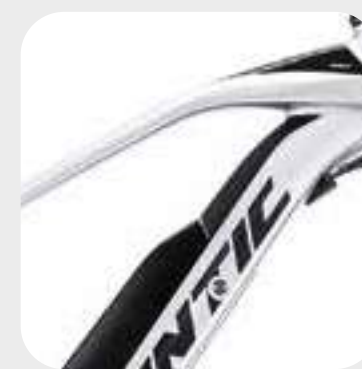




(*) FANTIC MOTOR reserves the right to modify technical characteristics without prior notice. All images are included for illustrative purposes. Products are subject to change.

XTF 1.5 Race

Colour options:
silver



Colour: **yellow**

Technical specifications



Aluminum, sizes: S - M - L



Sram SX, 12V, 11-50



Brose S-Alu,
Torque/Coppia: 90 Nm



Sram Guide T 4 Piston disc brake



Fantic, Lithium Ion, 36 Volt, 630Wh



Rodi TRYP30



RockShox 35 Gold RL 150mm



Pirelli Scorpion Trail



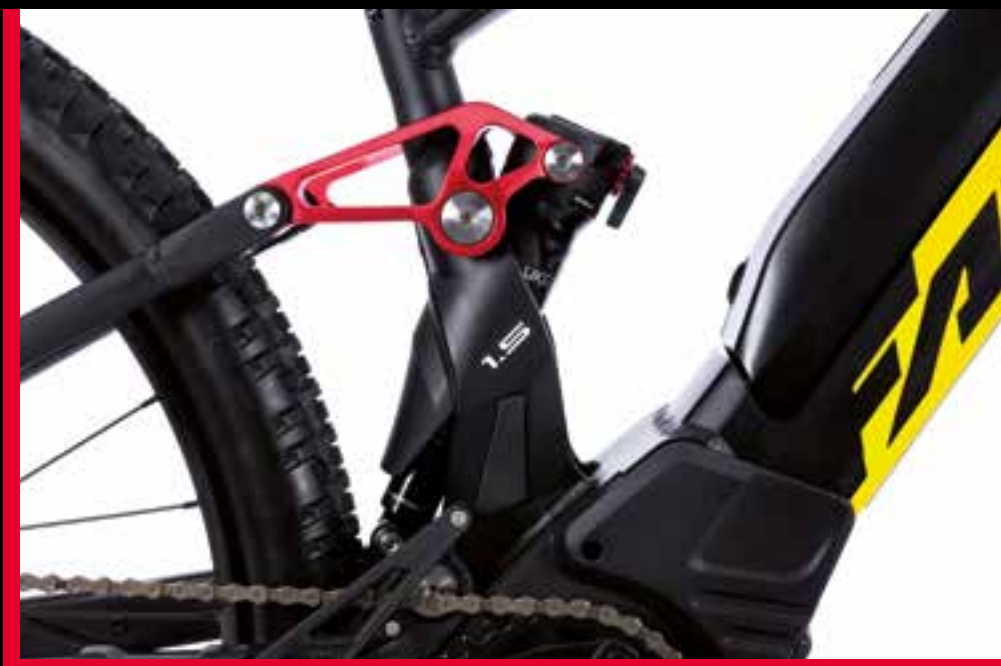
RockShox Deluxe Select+



Selle Italia Model-X
Comfort Superflow 145

(* FANTIC MOTOR reserves the right to modify technical characteristics without prior notice.
All images are included for illustrative purposes. Products are subject to change.

Control, handling, exclusivity, mileage.



(*) FANTIC MOTOR reserves the right to modify technical characteristics without prior notice. All images are included for illustrative purposes. Products are subject to change.

XTF 1.5 Sport

Colour options:
yellow



Colour: **silver**

Technical specifications



Aluminum, sizes: S - M - L



Sram SX, 12V, 11-50



Brose S-Alu,
Torque/Coppia: 90 Nm



Sram Guide T 4 Piston disc brake



Fantic, Lithium Ion, 36 Volt, 630Wh



Rodi TRYP30



RockShox 35 Gold RL 150mm



Pirelli Scorpion Trail



RockShox Deluxe Select+



Selle Italia Model-X
Comfort Superflow 145

(* FANTIC MOTOR reserves the right to modify technical characteristics without prior notice. All images are included for illustrative purposes. Products are subject to change.

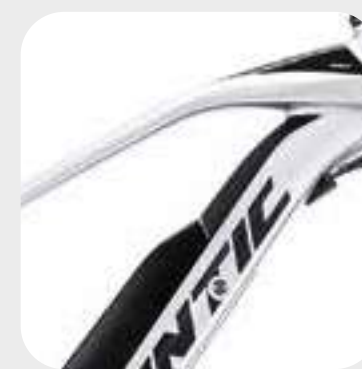
Control, handling, exclusivity, mileage.



(*) FANTIC MOTOR reserves the right to modify technical characteristics without prior notice. All images are included for illustrative purposes. Products are subject to change.

XTF 1.5

Colour options:
silver



Colour: **yellow**

Technical specifications



Aluminum, sizes: S - M - L



Sram SX Eagle



Brose S-Alu,
Torque/Coppia: 90 Nm



Sram Level 2 Piston disc brake



Fantic, Lithium Ion, 36 Volt, 630Wh



Rodi TRYP30



RockShox Recon Silver RL 150mm



Pirelli Scorpion ProWall



RockShox Deluxe Select



Selle Italia Model-X
Comfort Superflow 145

(* FANTIC MOTOR reserves the right to modify technical characteristics without prior notice. All images are included for illustrative purposes. Products are subject to change.

Control, handling, exclusivity, mileage.





(*) FANTIC MOTOR reserves the right to modify technical characteristics without prior notice. All images are included for illustrative purposes. Products are subject to change.



E-MTB All Mountain



MTB All Mountain by **Fantic**, the keyword is **versatility!**

Designed to offer an excellent balance between downhill performance and uphill pedalling, the **All Mountain** range consists of 2 models, 1 with a carbon frame and 1 in aluminium, both fully suspended for maximum shock absorption with a 170 mm travel.

Engineered and developed by Fantic for those who are looking for a **high-performance and versatile bike**, and suitable for all types of trails and paths, from those with little elevation gain to more challenging descents.

(* FANTIC MOTOR reserves the right to modify technical characteristics without prior notice. All images are included for illustrative purposes. Products are subject to change.

XMF 1.7 Carbon Race



Colour: **carbon black**

Technical specifications



Carbon, sizes: S - M - L



Sram SX, 12V, 11-50



Brose S-Mag 36,
Torque/Coppia: 90 Nm



Magura MT7 4 Piston disc brake



Fantic, Lithium Ion, 36 Volt, 720Wh



Fulcrum E-Fire 500 29"-27.5"



RockShox Zeb Select 170mm



Vittoria E-Martello



RockShox SuperDeluxe Select+



Selle Italia Novus Boost
X-Cross Superflow

(* FANTIC MOTOR reserves the right to modify technical characteristics without prior notice. All images are included for illustrative purposes. Products are subject to change.



(*) FANTIC MOTOR reserves the right to modify technical characteristics without prior notice. All images are included for illustrative purposes. Products are subject to change.

XMF 1.7

Carbon

Sport



Colour: **carbon black**

Technical specifications



Carbon, sizes: S - M - L



Sram SX, 12V, 11-50



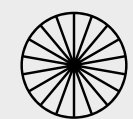
Brose S-Mag 36,
Torque/Coppia: 90 Nm



Sram Code R 4 Piston disc brake



Fantic, Lithium Ion, 36 Volt, 720Wh



Fulcrum E-Fire 700 29"-27.5"



Suntour DuroLux 38



Vittoria E-Martello



RockShox SuperDeluxe Select+



Selle Italia X Bow Superflow

(* FANTIC MOTOR reserves the right to modify technical characteristics without prior notice.
All images are included for illustrative purposes. Products are subject to change.

Control, handling, exclusivity, mileage.

32



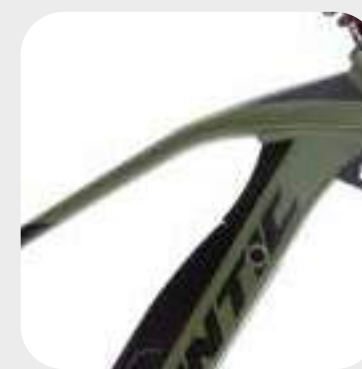
Index



(*) FANTIC MOTOR reserves the right to modify technical characteristics without prior notice. All images are included for illustrative purposes. Products are subject to change.

XMF 1.7

Colour options:
military green



Colour: **white**

Technical specifications



Aluminum, sizes: S - M - L



Sram SX, 12V, 11-50



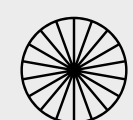
Brose S-Mag 36,
Torque/Coppia: 90 Nm



Sram Guide T 4 Piston disc brake



Fantic, Lithium Ion, 36 Volt, 720Wh



Fulcrum E-Fire 700 29"-27.5"



RockShox Domain R 170mm



Vittoria E-Martello



RockShox Deluxe Select+



Selle Italia Model X
Comfort Superflow 145

(* FANTIC MOTOR reserves the right to modify technical characteristics without prior notice. All images are included for illustrative purposes. Products are subject to change.

Control, handling, exclusivity, mileage.



(*) FANTIC MOTOR reserves the right to modify technical characteristics without prior notice. All images are included for illustrative purposes. Products are subject to change.



E-MTB Enduro



E-MTB **Enduro** by **Fantic**, power at your service!

Designed for natural descents, new school trails, bike parks and aggressive slopes, the **Enduro** range is composed of the **Sport, Race and Factory** versions. The second one is characterized by **carbon seatstays**, and they are all fully suspended for maximum shock absorption with a 180 and 190 mm travel.

Engineered and developed by Fantic for those who are looking for an extremely high-performance bike that is agile and reliable both on steep slopes and on bumpy terrain, but also rideable and allows you to reach the top thanks to the long-life 720Wh battery.

(* FANTIC MOTOR reserves the right to modify technical characteristics without prior notice. All images are included for illustrative purposes. Products are subject to change.

Control, handling, exclusivity, mileage.

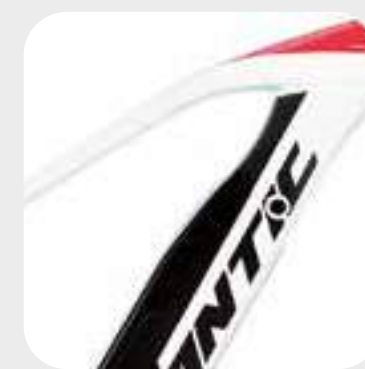
36



Index

XEF 1.9 Factory

Colour options:
white



Colour: **military green**

Technical specifications



Aluminum, sizes: S - M - L



SunRace SilverRed, 12V, 11-51



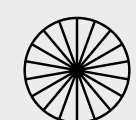
Brose S-Mag 36,
Torque/Coppia: 90 Nm



Braking IN.CA.S disc brake



Fantic, Lithium Ion, 36 Volt, 720Wh



Mavic E-Deemax 29"- 27.5"



RockShox Zeb Ultimate 190mm



Vittoria E-Mazza
Vittoria E-Martello



Ohlins TTX 22M



Selle Italia Novus Boost
X Cross Superflow

(* FANTIC MOTOR reserves the right to modify technical characteristics without prior notice.
All images are included for illustrative purposes. Products are subject to change.

Control, handling, exclusivity, mileage.

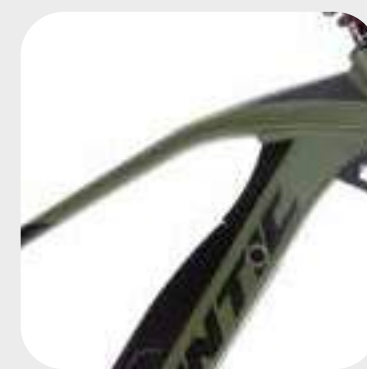




(*) FANTIC MOTOR reserves the right to modify technical characteristics without prior notice. All images are included for illustrative purposes. Products are subject to change.

XEF 1.9 Race

Colour options:
military green



Colour: **white**

Technical specifications



Aluminum, sizes: S - M - L



Sram SX, 12V, 11-50



Brose S-Mag 36,
Torque/Coppia: 90 Nm



Magura MT7 4 Piston disc brake



Fantic, Lithium Ion, 36 Volt, 720Wh



Mavic E-Deemax 29"- 27.5"



RockShox Zeb Select 190mm



Vittoria E-Mazza
Vittoria E-Martello



RockShox SuperDeluxe Coil Select+



Selle Italia Model-X Bow Superflow

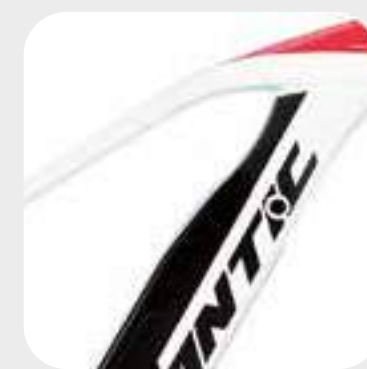
(* FANTIC MOTOR reserves the right to modify technical characteristics without prior notice. All images are included for illustrative purposes. Products are subject to change.



(*) FANTIC MOTOR reserves the right to modify technical characteristics without prior notice. All images are included for illustrative purposes. Products are subject to change.

XEF 1.8 Sport

Colour options:
white



Colour: **military green**

Technical specifications



Aluminum, sizes: S - M - L



Sram SX, 12V, 11-50



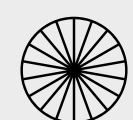
Brose S-Mag 36,
Torque/Coppia: 90 Nm



Sram Code R 4 Piston disc brake



Fantic, Lithium Ion, 36 Volt, 720Wh



Mavic E-Deemax 29"- 27.5"



RockShox Domain R 180mm



Vittoria E-Mazza
Vittoria E-Martello



RockShox SuperDeluxe Coil Select+



Selle Italia Model-X
Comfort Superflow 145

(* FANTIC MOTOR reserves the right to modify technical characteristics without prior notice. All images are included for illustrative purposes. Products are subject to change.

Control, handling, exclusivity, mileage.





(*) FANTIC MOTOR reserves the right to modify technical characteristics without prior notice. All images are included for illustrative purposes. Products are subject to change.



E-MTB Downhill



E-MTB **Downhill**, fast as the wind!

Designed for an aggressive descent and a very steep track, the entire **Downhill** range consists of 2 models, Race and Factory. The second one is characterized by **carbon seatstays** with a 200 mm travel.

Designed and developed by Fantic for those who are looking for extremely high performance and light weight, but also robustness to guarantee the rider excellent driving efficiency and an extraordinary speed.

(* FANTIC MOTOR reserves the right to modify technical characteristics without prior notice. All images are included for illustrative purposes. Products are subject to change.

Control, handling, exclusivity, mileage.

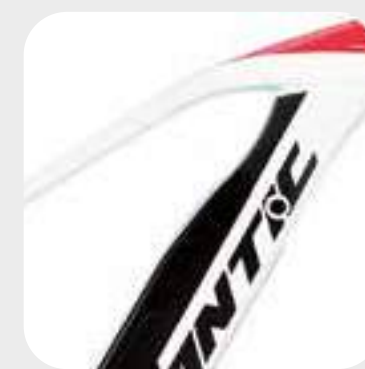
43



Index

XXF 2.0 Factory

Colour options:
white



Colour: **military green**

Technical specifications



Aluminum, sizes: S - M - L



SunRace SilverRed, 12V, 11-51



Brose S-Mag 36,
Torque/Coppia: 90 Nm



Braking IN.CA.S disc brake



Fantic, Lithium Ion, 36 Volt, 720Wh



Mavic E-Deemax 29"- 27.5"



Ohlins DH 38 200mm



Vittoria E-Mazza
Vittoria E-Martello



Ohlins TTX 22M



Selle Italia Novus Boost
X Cross Superflow

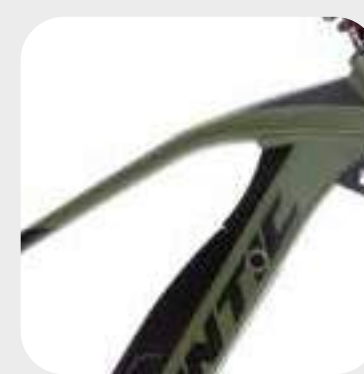
(* FANTIC MOTOR reserves the right to modify technical characteristics without prior notice.
All images are included for illustrative purposes. Products are subject to change.



(*) FANTIC MOTOR reserves the right to modify technical characteristics without prior notice. All images are included for illustrative purposes. Products are subject to change.

XXF 2.0 Race

Colour options:
military green



Colour: **white**

Technical specifications



Aluminum, sizes: S - M - L



Sram SX Eagle 12V, 11-50



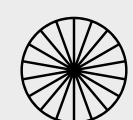
Brose S-Mag,
Torque/Coppia: 90 Nm



Magura MT7 4 Piston disc brake



Fantic, Lithium Ion, 36 Volt, 720Wh



Mavic E-Deemax 29"- 27.5"



RockShox Boxxer Select, 200mm



Vittoria E-Mazza
Vittoria E-Martello



RockShox SuperDeluxe Coil Select+



Selle Italia Model-X
Comfort Superflow

(* FANTIC MOTOR reserves the right to modify technical characteristics without prior notice.
All images are included for illustrative purposes. Products are subject to change.



Index

Control, handling, exclusivity, mileage.



(*) FANTIC MOTOR reserves the right to modify technical characteristics without prior notice. All images are included for illustrative purposes. Products are subject to change.



E-MTB Hard Tail



Designed for hilly or wooded trails, dirt tracks or dirt roads, the **Hard Tail** range is composed of 2 models, **Integra XF2** and **Fat**, front suspended with 120 mm travel only on the front.

Engineered and developed by Fantic for those who are looking for a simple, sporty and also high-performing bike without too much effort. In the spotlight is the Fat Sport model, one of a kind and characterized by wide tires for use on snow.

(* FANTIC MOTOR reserves the right to modify technical characteristics without prior notice. All images are included for illustrative purposes. Products are subject to change.

Control, handling, exclusivity, mileage.

48



Index

Fat Sport



Colour: **sage green**

Technical specifications



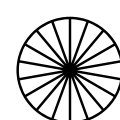
Aluminium, sizes: S - M - L



Sram Level, 2P, Hydraulic Disc Brake, 200mm disc



Brose T-Alu, Torque/Coppia: 70 Nm



Gipiemme 26"



Fantic, Lithium Ion, 36 Volt, 630Wh



Schwalbe Jumbo-Jim



RockShox Bluto, 120mm



Selle Italia Model X Comfort superflow

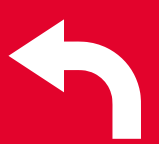


Sram SX Eagle 12V, 11-50

(* FANTIC MOTOR reserves the right to modify technical characteristics without prior notice. All images are included for illustrative purposes. Products are subject to change.



(*) FANTIC MOTOR reserves the right to modify technical characteristics without prior notice. All images are included for illustrative purposes. Products are subject to change.



Integra XF2



Colour: **red**

Technical specifications



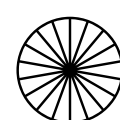
Aluminium, sizes: S - M - L



Sram Level, 2P, Hydraulic Disc Brake, 200mm disc



Brose T-Alu, Torque/Coppia: 70 Nm



Gipiemme, tubeless ready



Fantic, Lithium Ion, 36 Volt, 630Wh



Vittoria Barzo



RockShox Recon Silver RL, 120mm



Selle Italia Model X Comfort superflow



Sram SX, 12V, 11-50

(* FANTIC MOTOR reserves the right to modify technical characteristics without prior notice. All images are included for illustrative purposes. Products are subject to change.

Control, handling, exclusivity, mileage.

51



Index



(*) FANTIC MOTOR reserves the right to modify technical characteristics without prior notice. All images are included for illustrative purposes. Products are subject to change.



ISSIMO



The line is completed with the award-winning **Issimo 25** and **Issimo 45**. **Issimo** family has reinvented the concept of sustainable mobility, revolutionizing commuting by making it both easier and safer. **Issimo** guarantees **safety and stability** on every terrain, thanks to its Fat 20x4" tyres and low center of gravity, which are available in both the Urban and Fun versions.

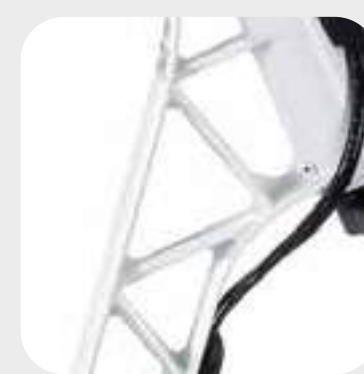
Issimo Connect is the Bluetooth GPS module integrated version that allows connection with the **Issimo App**.

(*) FANTIC MOTOR reserves the right to modify technical characteristics without prior notice. All images are included for illustrative purposes. Products are subject to change.

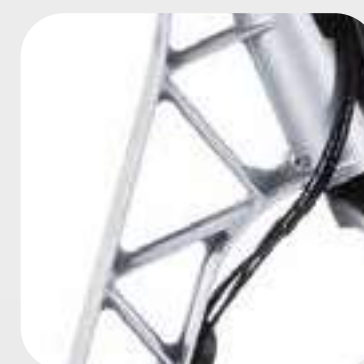
Issimo Fun



Colour options:
white



silver



Colour: **black**

Technical specifications



Aluminum frame,
Unix Design, One Size



16Th Chain rings



Bafang M500,
Torque/Coppia: 95 Nm



Radius BH-M960



Fantic, Lithium Ion, 36 Volt, 630Wh



Gipiemme 20" Fat



Zoom 80mm



Vee-Tire Co - 20"X4"
Mission Command

(* FANTIC MOTOR reserves the right to modify technical characteristics without prior notice.
All images are included for illustrative purposes. Products are subject to change.

Control, handling, exclusivity, mileage.

54



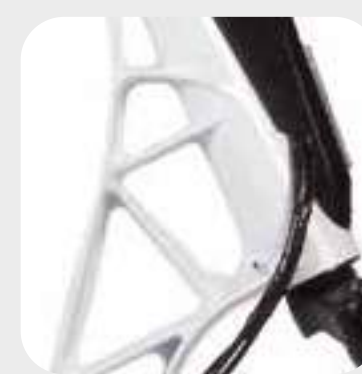
Index



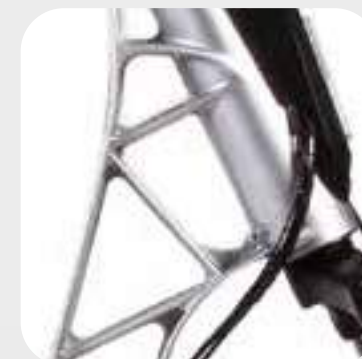
(*) FANTIC MOTOR reserves the right to modify technical characteristics without prior notice. All images are included for illustrative purposes. Products are subject to change.

Issimo Urban

Colour options:
white



silver



* App available only in the
Issimo "Urban Connect" model.



Colour: **black**

Technical specifications



Aluminum frame,
Unix Design, One Size



16Th Chain rings



Bafang M500,
Torque/Coppia: 95 Nm



Radius BH-M960



Fantic, Lithium Ion, 36 Volt, 630Wh



Gipiemme 20" Fat



Zoom 80mm



Vee-Tire Co - 20"X4" Speedster

(* FANTIC MOTOR reserves the right to modify technical characteristics without prior notice.
All images are included for illustrative purposes. Products are subject to change.

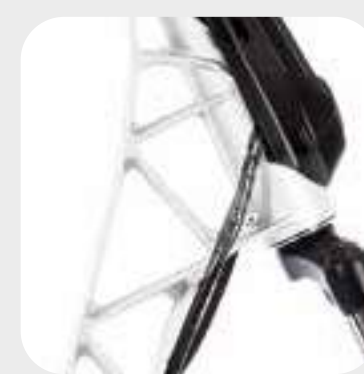


(*) FANTIC MOTOR reserves the right to modify technical characteristics without prior notice. All images are included for illustrative purposes. Products are subject to change.

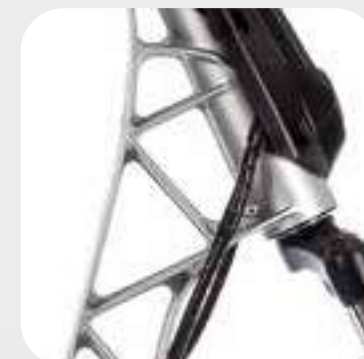
Issimo 45



Colour options:
white



silver



Colour: **black**

Technical specifications



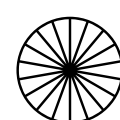
Aluminum, Unix Design, One Size



Radius BH-M870-E with cut-off



Bafang M600, Max power: 500 Watt,
Torque/Coppia: 120 Nm



Gipiemme 20" Fat



Fantic, Lithium Ion, 43 Volt, 600Wh



Vee-Tire Co - 20"X4" Speedster



Zoom 80mm

(* FANTIC MOTOR reserves the right to modify technical characteristics without prior notice.
All images are included for illustrative purposes. Products are subject to change.

Control, handling, exclusivity, mileage.

58



Index



(*) FANTIC MOTOR reserves the right to modify technical characteristics without prior notice. All images are included for illustrative purposes. Products are subject to change.

Issimo accessories

10 colourful covers



(*) FANTIC MOTOR reserves the right to modify technical characteristics without prior notice.
All images are included for illustrative purposes. Products are subject to change.

Issimo app*



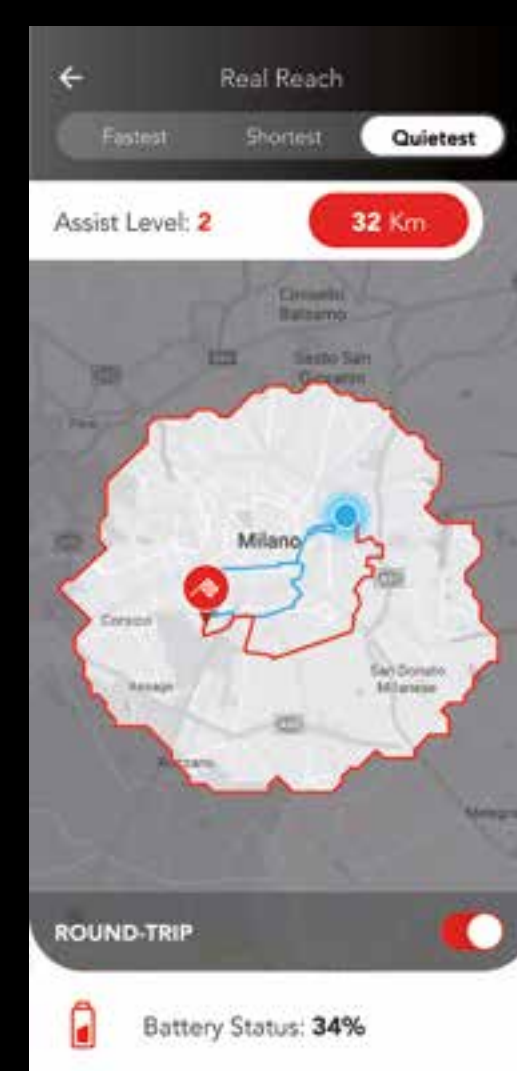
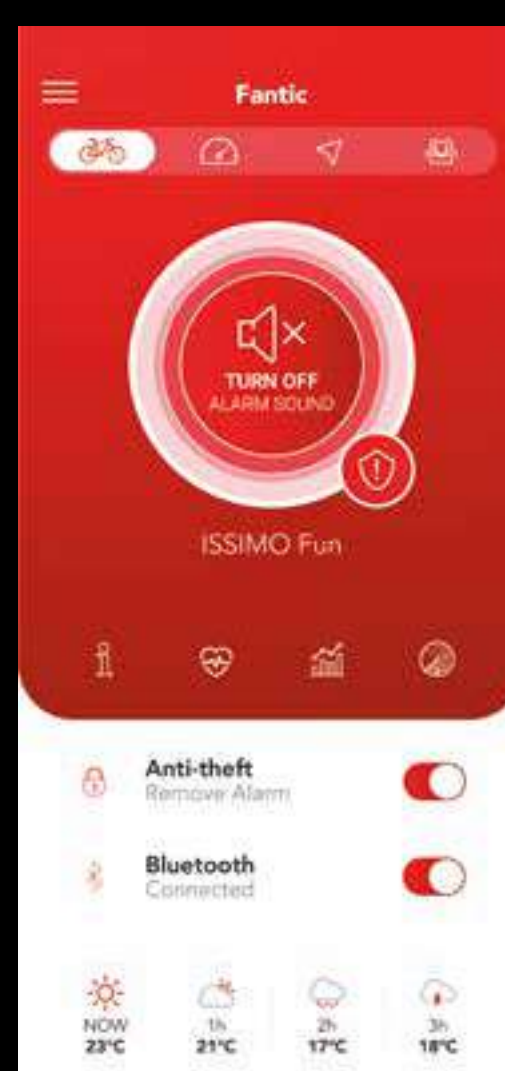
The APP to control the Issimo E-bike. Many functions for your Smartphone.

The APP provides the GPS Tracking position in real time of **Issimo** on the road, with notification/warning on your Smartphone, even if it is removed from its parked position, like an anti-theft device.

You can also associate multiple smartphone users to the same **Issimo** E-bike, so that a group of members can share.

The App allows you to view information such as the analog-style speedometer, vehicle and battery level power status, satellite navigation and traffic usage statistics, directly on your smartphone with the possibility of sharing on Social Media.

* App available only in the **Issimo "Urban Connect"** model.



(*) FANTIC MOTOR reserves the right to modify technical characteristics without prior notice. All images are included for illustrative purposes. Products are subject to change.



Trekking



Fantic's engineers have designed this model to integrate our best **Italian design**, innovative lines, top level performance and all the road safety we need. **Fantic** has created a new "concept" of urban E-Bikes that is suitable for every kind of road, and is sporty and contemporary.

Riding every day, in the city and outdoor areas, without compromising on safety, quality and comfort. That's why we created the world of **Living**, 5 models for **everyday commuting, for everyone.**

(*) FANTIC MOTOR reserves the right to modify technical characteristics without prior notice. All images are included for illustrative purposes. Products are subject to change.

Seven Days Living



Colour: **black**

Technical specifications



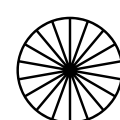
Aluminium, sizes: S - M - L



Sram Level steel hydraulic 2P, 180mm disc



Brose T-Alu, Torque/Coppia: 70Nm



GBC, Aluminium, 28"



Fantic, Lithium Ion, 36 Volt, 630Wh



Vittoria E-Randonneur



RockShox Recon 29, 100mm



Selle Italia ST 5 GF / Urban Gist



Sram SX, 12V, 11-50

(* FANTIC MOTOR reserves the right to modify technical characteristics without prior notice. All images are included for illustrative purposes. Products are subject to change.



(*) FANTIC MOTOR reserves the right to modify technical characteristics without prior notice. All images are included for illustrative purposes. Products are subject to change.

Seven Days Living Easy



Colour: **silver**

Technical specifications



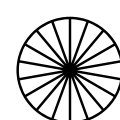
Aluminium, sizes: S/M - L/XL



Sram Level steel hydraulic 2P,
180mm disc



Brose T,
Torque/Coppia: 70Nm



GBC, Aluminium, 28"



Fantic, Lithium Ion, 36 Volt, 630Wh



Vittoria E-Randonneur



RockShox Recon 29, 100mm



Selle Italia ST 5 GF / Urban Gist



Sram SX, 12V, 11-50

(* FANTIC MOTOR reserves the right to modify technical characteristics without prior notice.
All images are included for illustrative purposes. Products are subject to change.

Control, handling, exclusivity, mileage.

65



Index



(*) FANTIC MOTOR reserves the right to modify technical characteristics without prior notice. All images are included for illustrative purposes. Products are subject to change.

Living



Colour: **sand**

Technical specifications



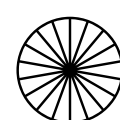
Aluminium, sizes: S - M - L



Promax Solve ST 925 hydraulic 2P, 180mm disc



Yamaha PW S2, Torque/Coppia: 75Nm



GBC 29"



Fantic, Lithium Ion, 36 Volt, 630Wh



Vittoria E-Randonneur



Suntour XCR34, travel 100mm



Selle Italia S5 Superflow



Sram SX, 12V, 11-50

(* FANTIC MOTOR reserves the right to modify technical characteristics without prior notice. All images are included for illustrative purposes. Products are subject to change.



(*) FANTIC MOTOR reserves the right to modify technical characteristics without prior notice. All images are included for illustrative purposes. Products are subject to change.

Living Easy



Colour: **blue**

Technical specifications



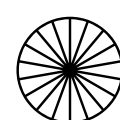
Aluminium, sizes: S-M / L-XL



Promax Solve ST 925 hydraulic 2P,
180mm disc



Yamaha PW S2,
Torque/Coppia: 75Nm



GBC 29"



Fantic, Lithium Ion, 36 Volt, 630Wh



Vittoria E-Randonneur



Suntour XCR34, travel 100mm



Selle Italia Max S5 Superflow



Sram SX, 12V, 11-50

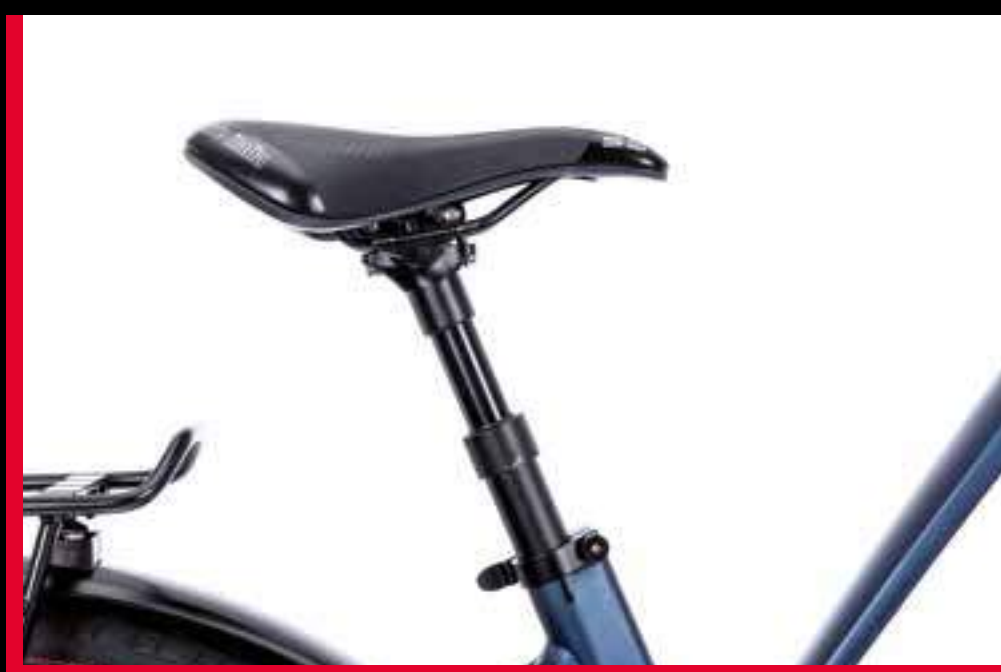
(* FANTIC MOTOR reserves the right to modify technical characteristics without prior notice.
All images are included for illustrative purposes. Products are subject to change.

Control, handling, exclusivity, mileage.

69



Index



(*) FANTIC MOTOR reserves the right to modify technical characteristics without prior notice. All images are included for illustrative purposes. Products are subject to change.

Living City



Colour: **white**

Technical specifications



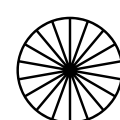
Aluminium, sizes: S - M - L



Promax Solve ST 925 hydraulic 2P,
180mm disc



Yamaha PW S2,
Torque/Coppia: 75Nm



GBC 29" (M-L) - 27.5" (S)



Fantic, Lithium Ion, 36 Volt, 630Wh



Vittoria E-Randonneur



RST Volant, travel 50mm



Selle Italia T3 Flow

(* FANTIC MOTOR reserves the right to modify technical characteristics without prior notice.
All images are included for illustrative purposes. Products are subject to change.



(*) FANTIC MOTOR reserves the right to modify technical characteristics without prior notice. All images are included for illustrative purposes. Products are subject to change.



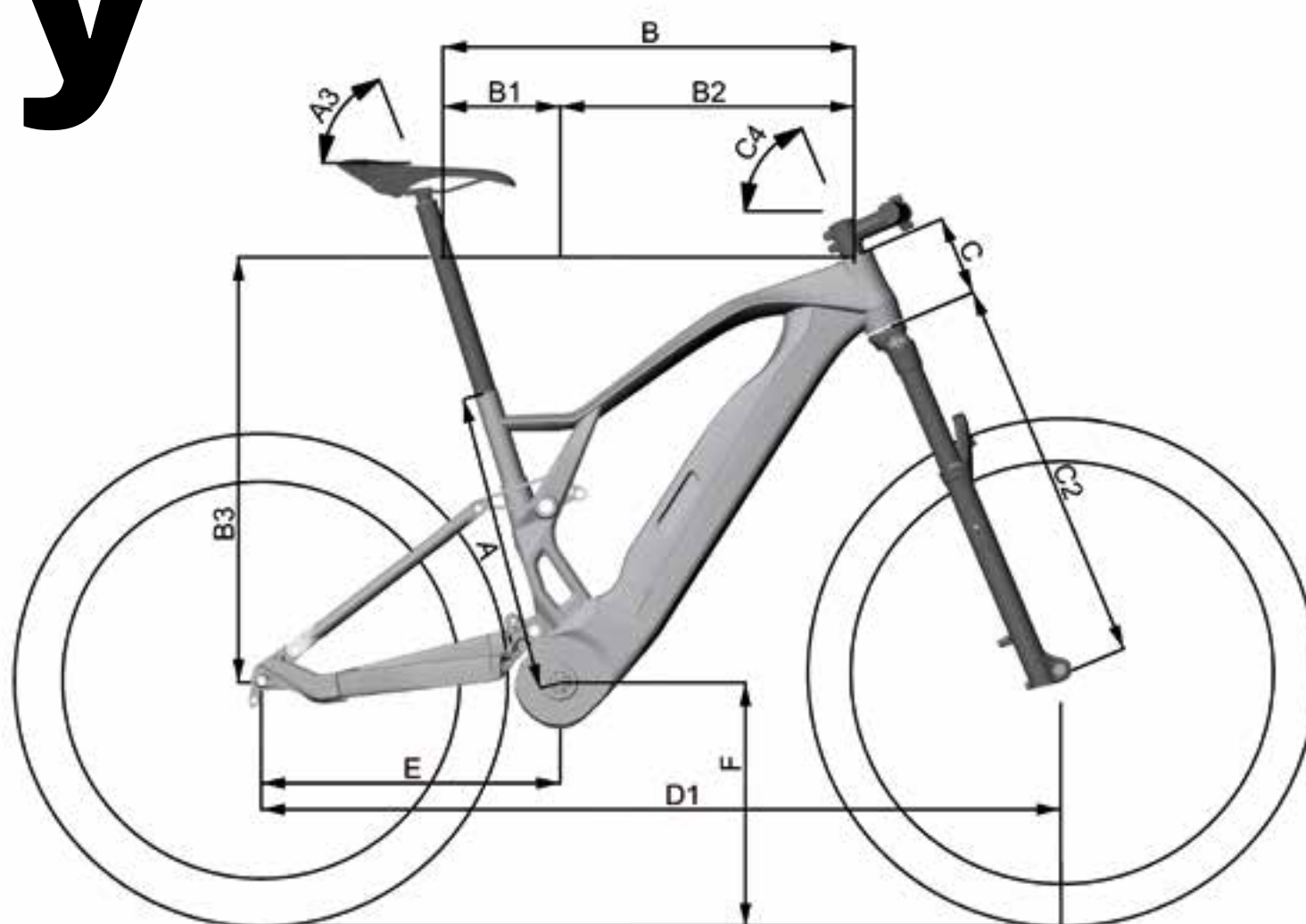
Specifications



(* FANTIC MOTOR reserves the right to modify technical characteristics without prior notice. All images are included for illustrative purposes. Products are subject to change.

Control, handling, exclusivity, mileage.

XTF 1.6 Carbon Factory

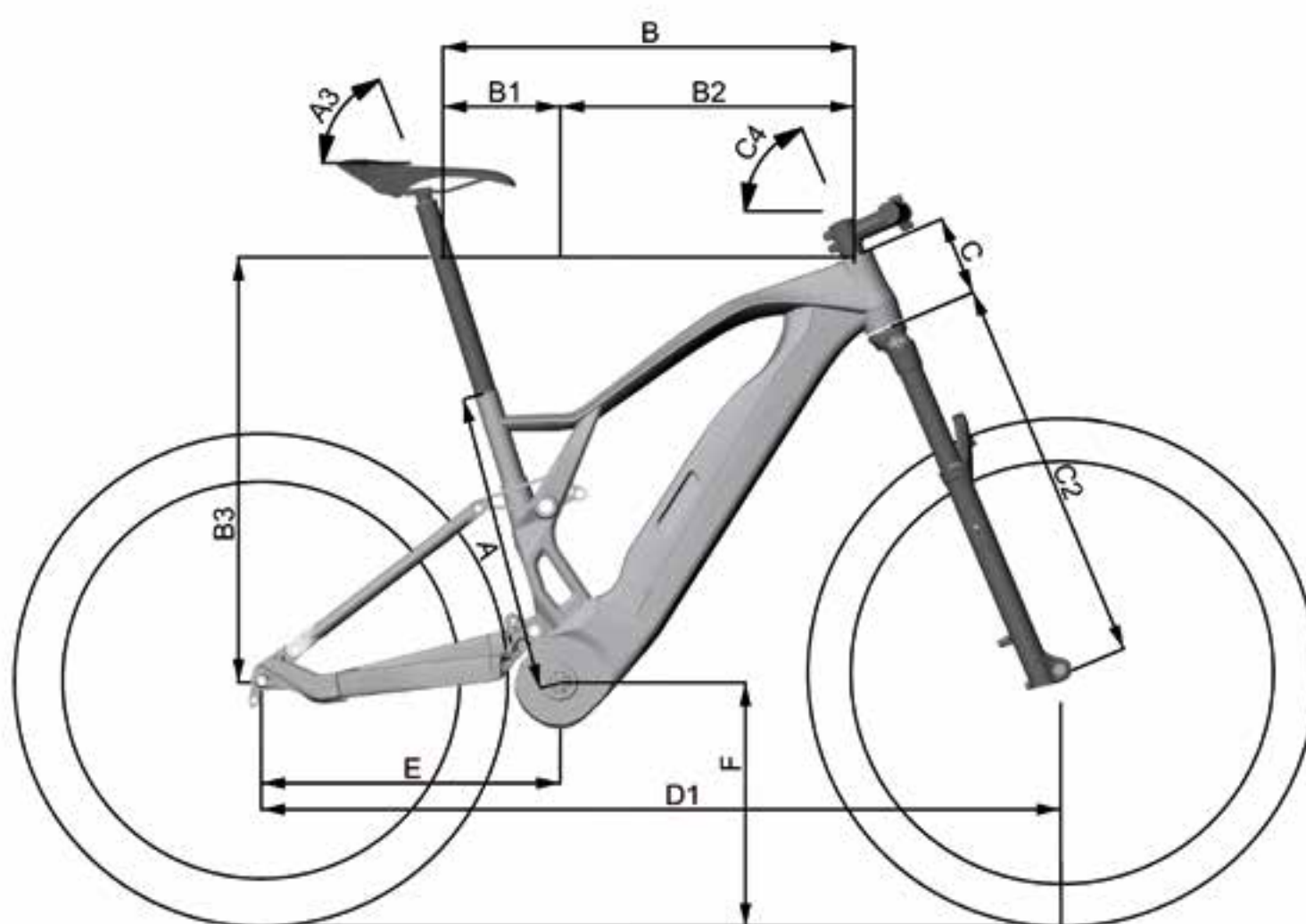


Motor	Brose S-Mag 36, Torque/Coppia: 90 Nm
Battery	Fantic, Lithium Ion, 36 Volt, 720Wh
Display	Brose All Round
Frame	Carbon, sizes: S - M - L - XL
Fork	RockShox Lyrik Ultimate 160mm
Shock	RockShox Deluxe Ultimate
Chain rings	Sram 34t
Crank arm	FSA Carbon
Rear derailleur	Sram XX1 AXS Eagle
Shift Levers	Sram XX1 AXS
Cassette	Sram X-Glide Rainbow, 12V, 10-52
Chain	Sram
Brake	Magura MT Trail Sport 4 Piston disc brake
Brake	Magura MT Trail Sport 4 Piston disc brake
Disc	Braking S3 Battfly, 203mm - 6Hole
Disc	Braking S3 Battfly, 180mm - 6Hole
Tires	Pirelli Scorpion ProWall Trail -M- 29"x 2.4
Tires	Pirelli Scorpion ProWall Trail -R- 29"x 2.4
Wheels	FSA KFX Carbon 29"
Handlebar	FSA KFX SIC Integrated Carbon Ø31,8 FLAT
Stem	nd/na
Seatpost	Rockshox Reverb AXS Ø 30.9
Saddle	Selle Italia SLR Boost Superflow
Note	(*)

Sizes	S	M	L	XL
A	390	430	469	510
A3	73	73	73	73
B	575	596	628	655
B1	156	158	162	167
B2	419	438	466	488
B3	608,0	615,1	628,9	645,5
C	100	105	120	135
C2	568	568	568	568
C4	66	66,5	66,5	67
D1	1188	1204	1238	1260
E	456	456	456	456
F	362,5	362,5	362,5	362,5

(*) FANTIC MOTOR reserves the right to modify technical characteristics without prior notice. All images are included for illustrative purposes. Products are subject to change.

XTF 1.6 Carbon Race

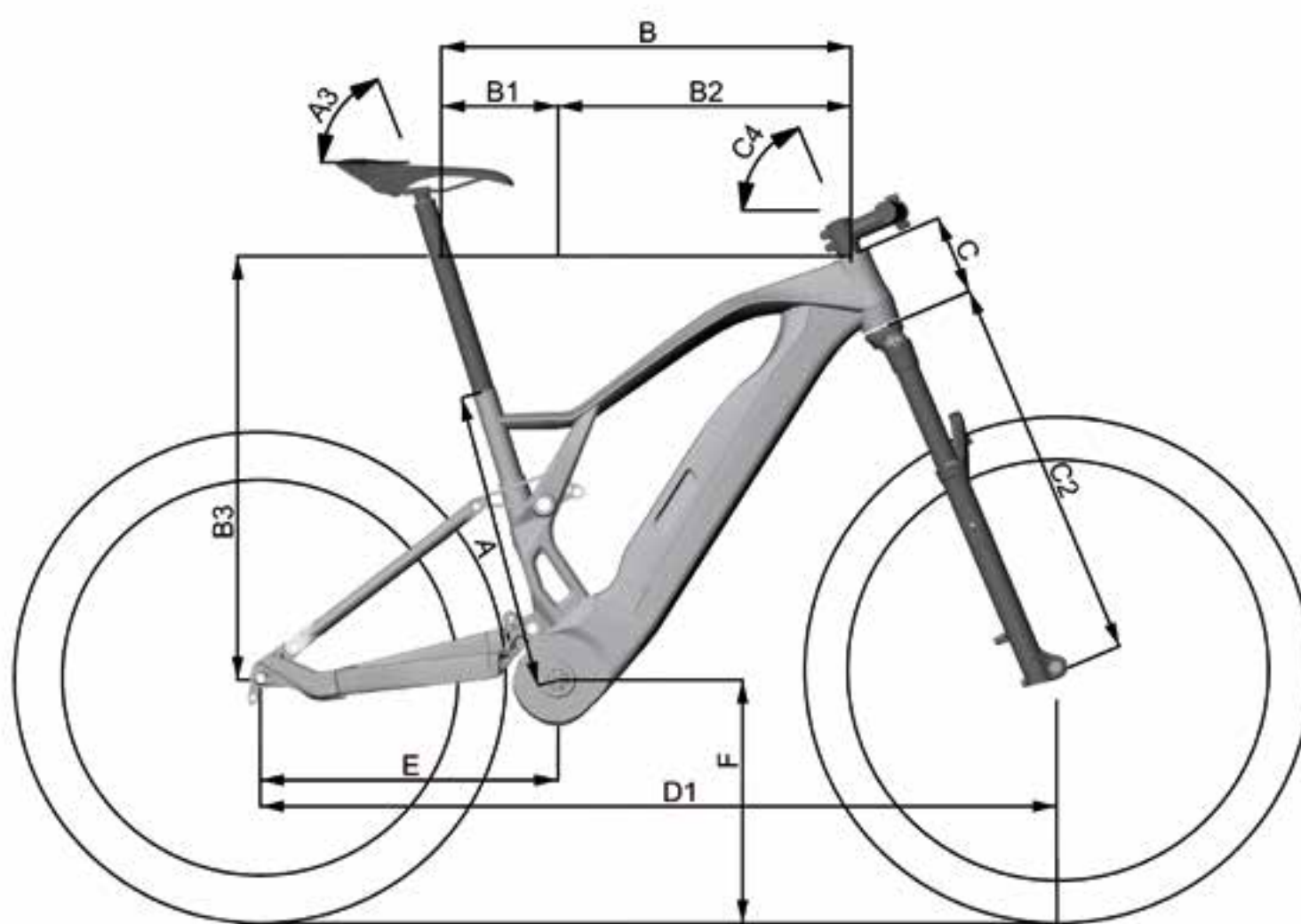


Motor	Brose S-Mag 36, Torque/Coppia: 90 Nm
Battery	Fantic, Lithium Ion, 36 Volt, 720Wh
Display	Brose All Round
Frame	Carbon, sizes: S - M - L - XL
Fork (**)	RockShox Lirik Select 160mm
Shock	RockShox Deluxe Select+
Chain rings	Sram 34t
Crank arm	FSA
Rear derailleur	Sram GX AXS Eagle
Shift Levers	Sram GX AXS
Cassette	SunRace SilverRed, 12V, 11-51
Chain	Sram SX
Brake	Sram G2 RS 4 Piston disc brake
Brake	Sram G2 RS 4 Piston disc brake
Disc	Braking S3 Batfly, 203mm - 6Hole
Disc	Braking S3 Batfly, 180mm - 6Hole
Tires	Pirelli Scorpion ProWall Trail -M- 29"x 2.4
Tires	Pirelli Scorpion ProWall Trail -R- 29"x 2.4
Wheels	FSA i29 Carbon 29"
Handlebar	FSA KFX UD Carbon 760mm Ø31,8 FLAT
Stem	FSA NS ICR 10°AO 70mm Ø31,8
Seatpost	Switch SW Ø 30.9
Saddle	Selle Italia Novus Boost X-Cross Superflow
Note	(*)
(**) Alternative fork / forcella alternativa Suntour Durolux 36	

Sizes	S	M	L	XL
A	390	430	469	510
A3	73	73	73	73
B	575	596	628	655
B1	156	158	162	167
B2	419	438	466	488
B3	608,0	615,1	628,9	645,5
C	100	105	120	135
C2	568	568	568	568
C4	66	66,5	66,5	67
D1	1188	1204	1238	1260
E	456	456	456	456
F	362,5	362,5	362,5	362,5

(*) FANTIC MOTOR reserves the right to modify technical characteristics without prior notice.
All images are included for illustrative purposes. Products are subject to change.

XTF 1.6 Carbon Sport

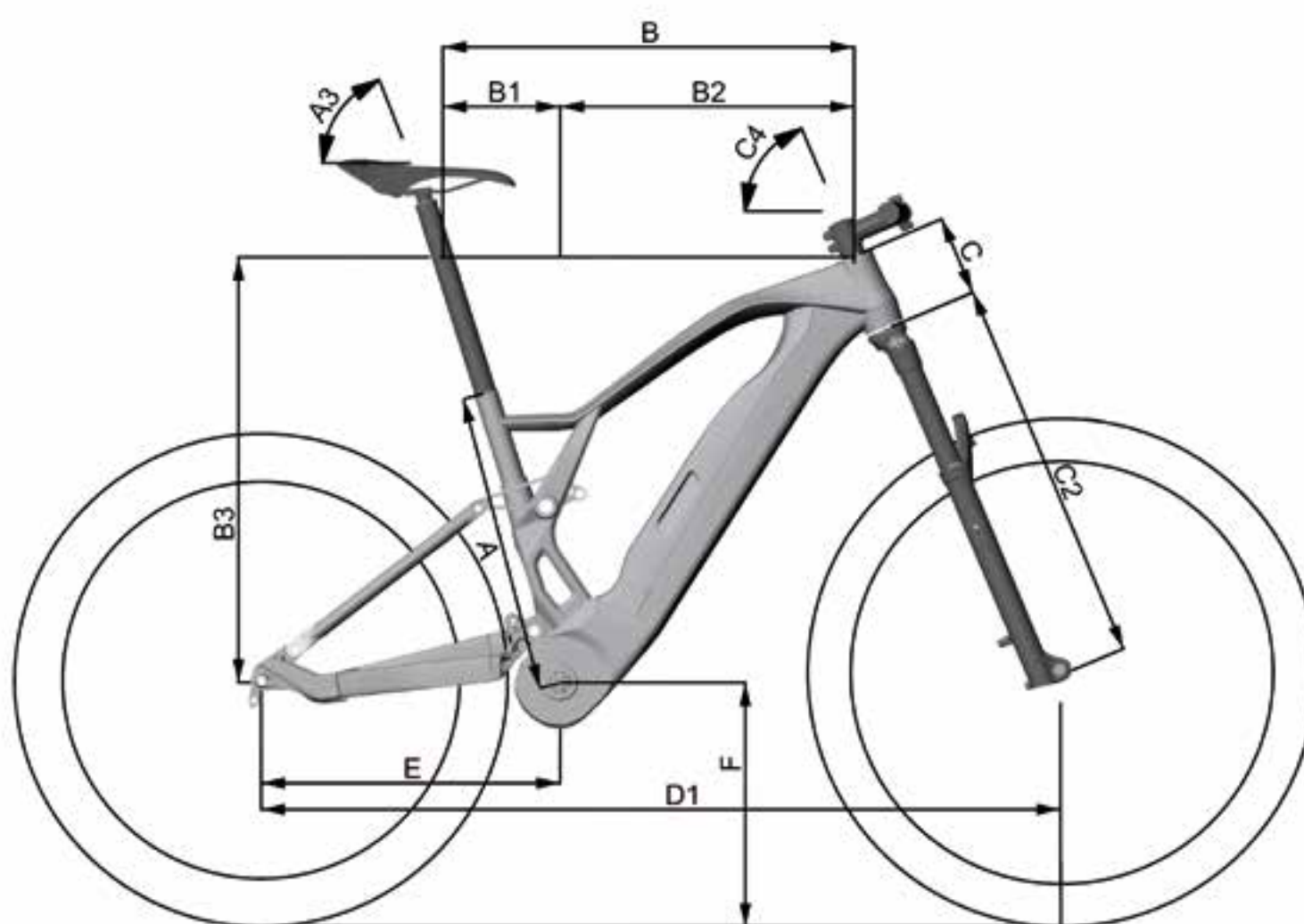


Motor	Brose S-Mag 36, Torque/Coppia: 90 Nm
Battery	Fantic, Lithium Ion, 36 Volt, 720Wh
Display	Brose All Round
Frame	Carbon, sizes: S - M - L - XL
Fork (**)	RockShox Lyrik Select 160mm
Shock	RockShox Deluxe Select+
Chain rings	Sram 34t
Crank arm	FSA
Rear derailleur	Sram GX Eagle
Shift Levers	Sram NX
Cassette	Sram SX, 12V, 11-50
Chain	Sram SX
Brake	Sram G2 RS 4 Piston disc brake
Brake	Sram G2 RS 4 Piston disc brake
Disc	Braking S3 Batfly, 203mm - 6Hole
Disc	Braking S3 Batfly, 180mm - 6Hole
Tires	Pirelli Scorpion ProWall Trail -M- 29"x 2.4
Tires	Pirelli Scorpion ProWall Trail -R- 29"x 2.4
Wheels	Rodi READY27 - 29"
Handlebar	FSA 760mm- Ø31,8 - Rise 15mm - Sweep 6°
Stem	FSA 60mm- Ø31,8 - Rise +6°
Seatpost	Switch SW Ø 30.9
Saddle	Selle Italia X Bow Superflow
Note	(*)
(**) Alternative fork / forcella alternativa Suntour Durolux 36	

Sizes	S	M	L	XL
A	390	430	469	510
A3	73	73	73	73
B	575	596	628	655
B1	156	158	162	167
B2	419	438	466	488
B3	608,0	615,1	628,9	645,5
C	100	105	120	135
C2	568	568	568	568
C4	66	66,5	66,5	67
D1	1188	1204	1238	1260
E	456	456	456	456
F	362,5	362,5	362,5	362,5

(*) FANTIC MOTOR reserves the right to modify technical characteristics without prior notice.
All images are included for illustrative purposes. Products are subject to change.

XTF 1.5 Carbon

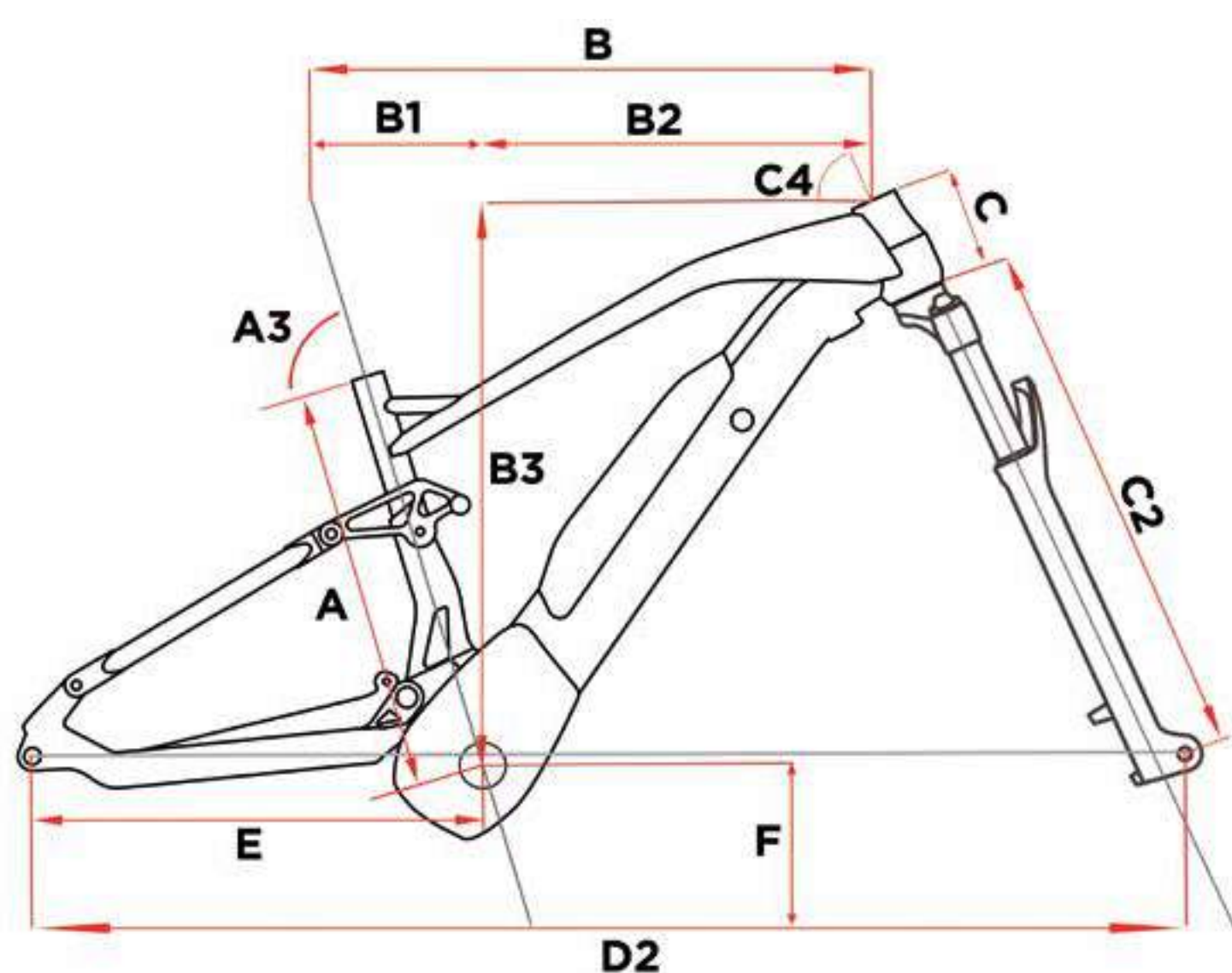


Motor	Brose S-Mag 36, Torque/Coppia: 90 Nm
Battery	Fantic, Lithium Ion, 36 Volt, 720Wh
Display	Brose All Round
Frame	Carbon, sizes: S - M - L - XL
Fork (**)	RockShox 35 Gold RL 150mm
Shock	RockShox Deluxe Select+
Chain rings	Sram 34t
Crank arm	FSA
Rear derailleur	Sram NX
Shift Levers	Sram NX Eagle
Cassette	Sram SX, 12V, 11-51
Chain	Sram SX
Brake	Sram Guide T 4 Piston disc brake
Brake	Sram Guide T 4 Piston disc brake
Disc	SramCenterLine, 200mm - 6Hole
Disc	SramCenterLine, 180mm - 6Hole
Tires	Pirelli Scorpion ProWall Trail -M- 29"x 2.4
Tires	Pirelli Scorpion ProWall Trail -R- 29"x 2.4
Wheels	Rodi READY27- 29"
Handlebar	FSA 760mm- Ø31,8 - Rise 15mm - Sweep 6°
Stem	FSA Logo-60mm- Ø31,8 - Rise +6°
Seatpost	Switch SW Ø 30.9
Saddle	Selle Italia Model-X Comfort Superflow 145
Note	(*)
(**) Alternative fork / forcella alternativa Suntour Auron 35	

Sizes	S	M	L	XL
A	390	430	469	510
A3	73	73	73	73
B	575	596	628	655
B1	156	158	162	167
B2	419	438	466	488
B3	608,0	615,1	628,9	645,5
C	100	105	120	135
C2	568	568	568	568
C4	66	66,5	66,5	67
D1	1188	1204	1238	1260
E	456	456	456	456
F	362,5	362,5	362,5	362,5

(*) FANTIC MOTOR reserves the right to modify technical characteristics without prior notice.
All images are included for illustrative purposes. Products are subject to change.

XTF 1.5 Race-Y

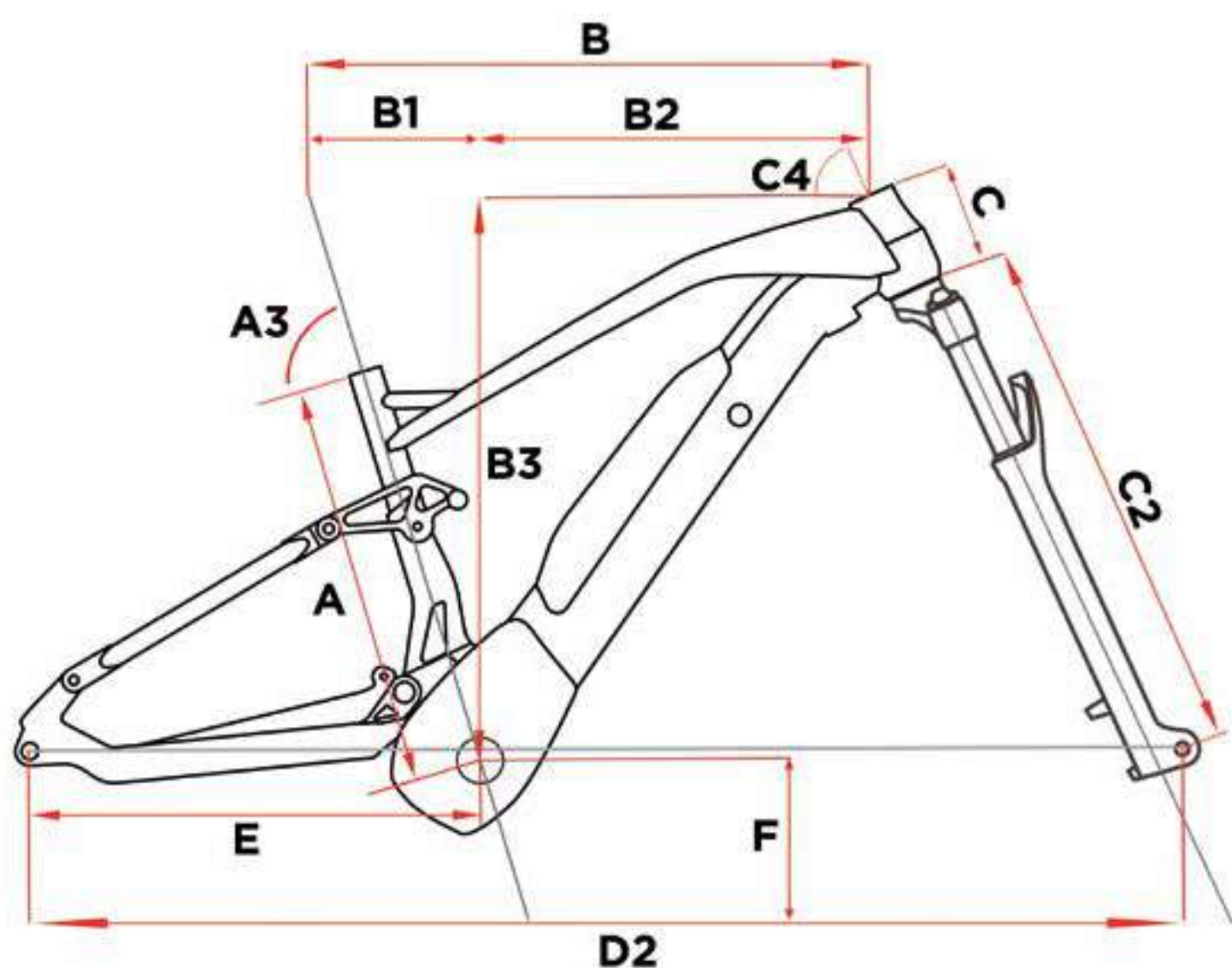


Motor	Yamaha PW X3, Torque/Coppia: 85 Nm
Battery	Fantic, Lithium Ion, 36 Volt, 630Wh
Display	Yamaha Interface X
Frame	Aluminum, sizes: S - M - L
Fork (**)	RockShox 35 Gold RL - 29" 150mm
Shock	RockShox Deluxe Select+
Chain rings	Sram 34t
Crank arm	FSA
Rear derailleur	Sram GX AXS
Shift Levers	Sram GX AXS Eagle
Cassette	Sram SX, 12V, 11-50
Chain	Sram SX
Brake	Sram Guide T 4 Piston disc brake
Brake	Sram Guide T 4 Piston disc brake
Disc	SramCenterLine, 200mm - 6Hole
Disc	SramCenterLine, 180mm - 6Hole
Tires	Pirelli Scorpion ProWall Trail -M- 29"x 2.4
Tires	Pirelli Scorpion ProWall Trail -R- 29"x 2.4
Wheels	Rodi TRYP30 - 29"
Handlebar	FSA 760mm- Ø31,8 - Rise 15mm - Sweep 6°
Stem	FSA Logo-60mm- Ø31,8 - Rise +6°
Seatpost	Switch SW Ø 30.9, S - 80mm / M - 100mm / L - 125mm
Saddle	Selle Italia Model-X Comfort Superflow 145
Note	(*)
(**) Alternative fork / forcella alternativa Suntour Auron 35	

Sizes	S	M	L
A	390	430	490
A3	73	73	73
B	575	602	627
B1	166	169	174
B2	407	433	453
B3	615,8	625,0	641,5
C	105	115	130
C2	567	567	567
C4	66	66	66,5
D1	1193	1224	1244
E	472	472	472
F	358	358	358

(*) FANTIC MOTOR reserves the right to modify technical characteristics without prior notice.
All images are included for illustrative purposes. Products are subject to change.

XTF 1.5 Sport-Y



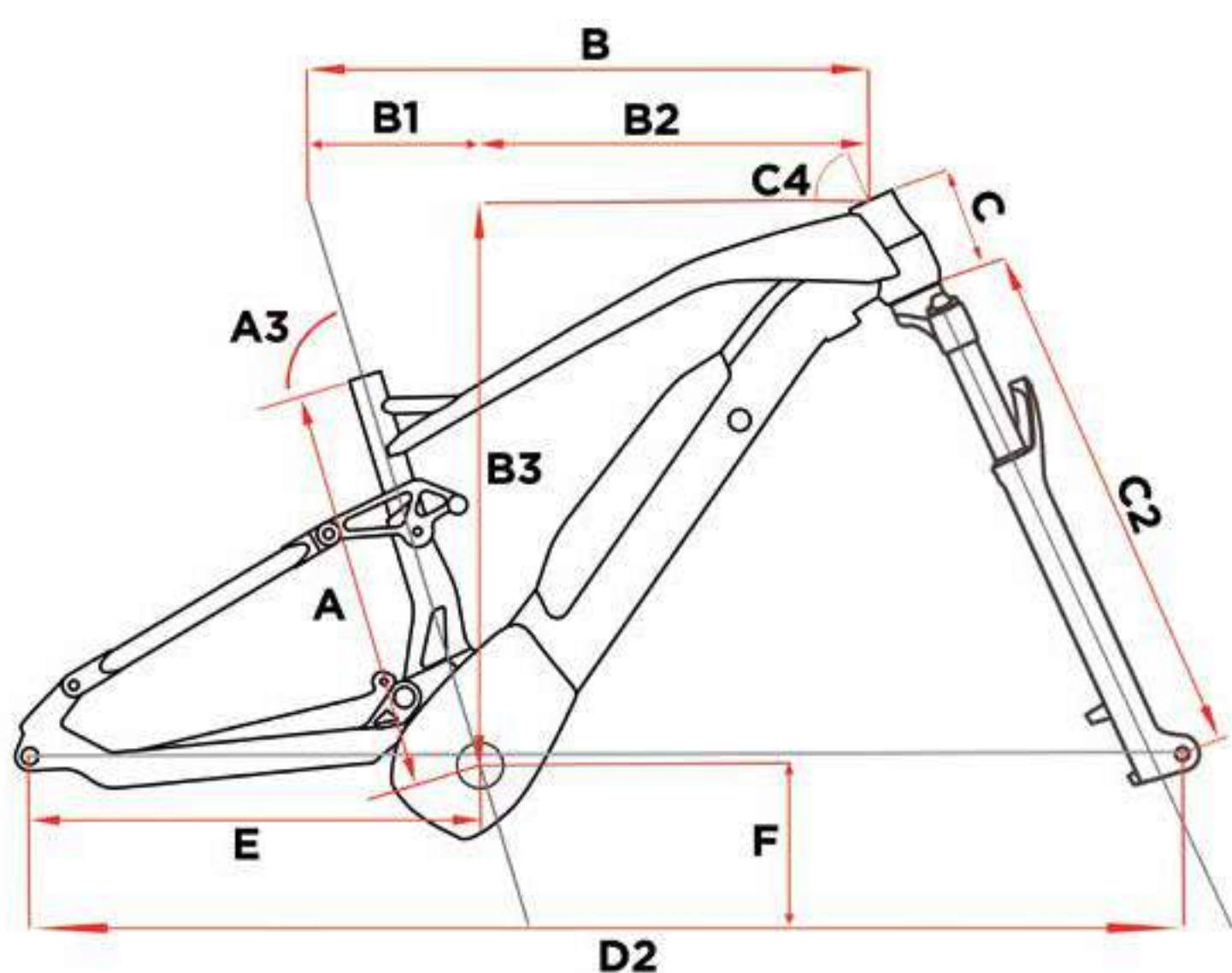
Motor	Yamaha PW X3, Torque/Coppia: 85 Nm
Battery	Fantic, Lithium Ion, 36 Volt, 630Wh
Display	Yamaha Interface X
Frame	Aluminum, sizes: S - M - L
Fork (**)	RockShox 35 Gold RL 150mm
Shock	RockShox Deluxe Select+
Chain rings	Sram 34t
Crank arm	FSA
Rear derailleur	Sram NX
Shift Levers	Sram NX Eagle
Cassette	Sram SX, 12V, 11-50
Chain	Sram SX
Brake	Sram Guide T 4 Piston disc brake
Brake	Sram Guide T 4 Piston disc brake
Disc	SramCenterLine, 200mm - 6Hole
Disc	SramCenterLine, 180mm - 6Hole
Tires	Pirelli Scorpion ProWall Trail -M- 29"x 2.4
Tires	Pirelli Scorpion ProWall Trail -R- 29"x 2.4
Wheels	Rodi TRYP30 - 29"
Handlebar	Promax-760mm-Rise 18mm-ø31,8
Stem	Promax-60mm-Rise +6°-ø31,8
Seatpost	RST ELEV8 A2 Ø 30.9, S - 80mm / M - 100mm / L - 125mm
Saddle	Selle Italia Model-X Comfort Superflow 145
Note	(*)
(**) Alternative fork / forcella alternativa Suntour Auron 35	

Sizes	S	M	L
A	390	430	490
A3	73	73	73
B	575	602	627
B1	166	169	174
B2	407	433	453
B3	615,8	625,0	641,5
C	105	115	130
C2	567	567	567
C4	66	66	66,5
D1	1193	1224	1244
E	472	472	472
F	358	358	358

(*) FANTIC MOTOR reserves the right to modify technical characteristics without prior notice.
All images are included for illustrative purposes. Products are subject to change.

XTF 1.5

All Track

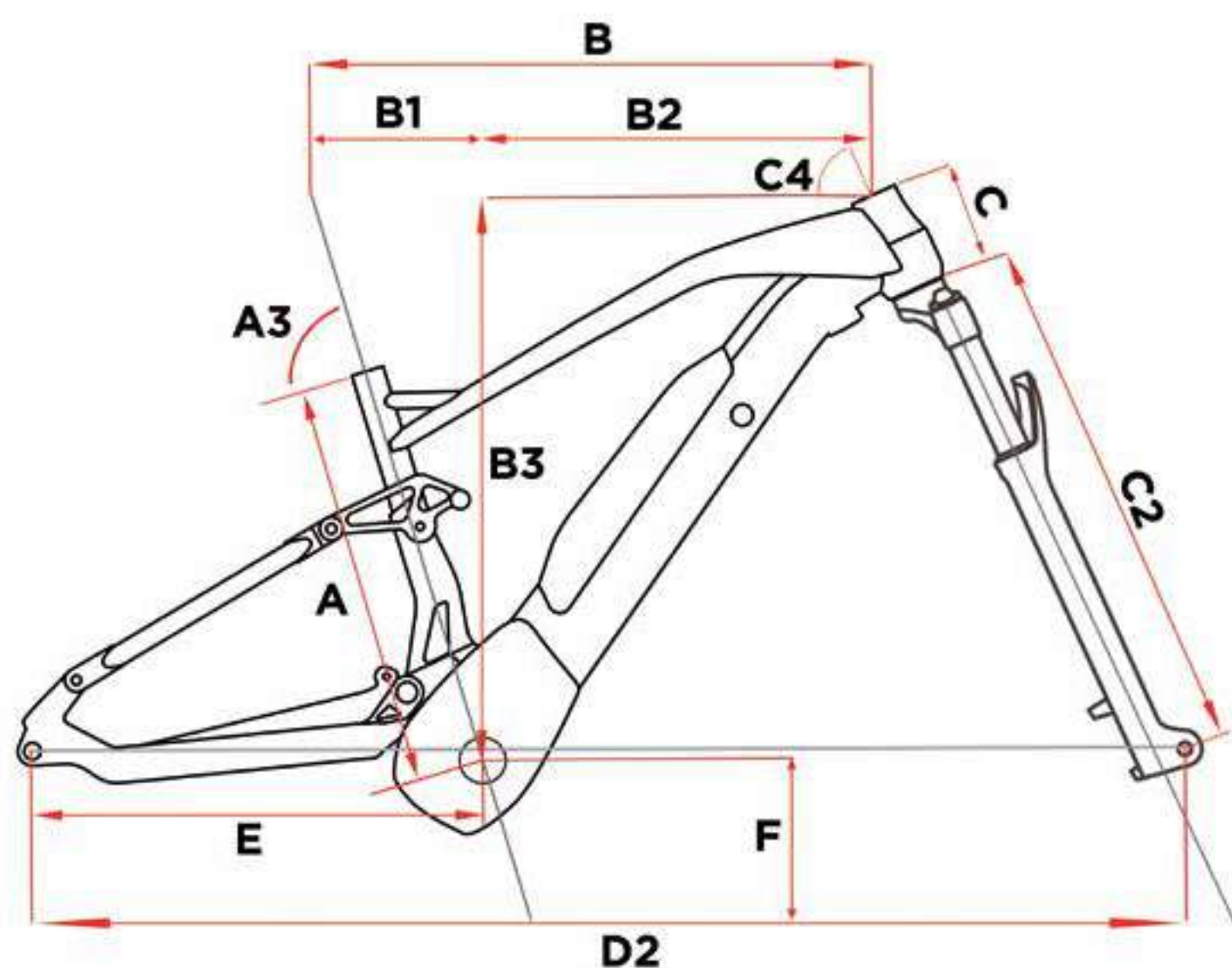


Motor	Yamaha PW X3, Torque/Coppia: 85 Nm
Battery	Fantic, Lithium Ion, 36 Volt, 630Wh
Display	Yamaha Interface X
Frame	Aluminum, sizes: S - M - L
Fork (**)	RockShox Recon Silver RL 150mm
Shock	RockShox Deluxe Select
Chain rings	Sram 34t
Crank arm	FSA
Rear derailleur	Sram SX
Shift Levers	Sram SX Eagle
Cassette	Sram SX, 12V, 11-50
Chain	Sram SX
Brake	Sram Level 2 Piston disc brake
Brake	Sram Level 2 Piston disc brake
Disc	SramCenterLine, 200mm - 6Hole
Disc	SramCenterLine, 180mm - 6Hole
Tires	Pirelli Scorpion ProWall Trail -M- 29"x 2.4
Tires	Pirelli Scorpion ProWall Trail -R- 29"x 2.4
Wheels	Rodi TRYP30 - 29"
Handlebar	Promax-760mm-Rise 18mm-ø31,8
Stem	Promax-60mm-Rise+6°-ø31,8
Seatpost	RST ELEV8 A2 Ø 30.9, S - 80mm / M - 100mm / L - 125mm
Saddle	Selle Italia Model-X Comfort Superflow 145
Note	(*)
(**) Alternative fork / forcella alternativa Suntour Auron 35	

Sizes	S	M	L
A	390	430	490
A3	73	73	73
B	575	602	627
B1	166	169	174
B2	407	433	453
B3	615,8	625,0	641,5
C	105	115	130
C2	567	567	567
C4	66	66	66,5
D1	1193	1224	1244
E	472	472	472
F	358	358	358

(*) FANTIC MOTOR reserves the right to modify technical characteristics without prior notice.
All images are included for illustrative purposes. Products are subject to change.

XTF 1.5 Race

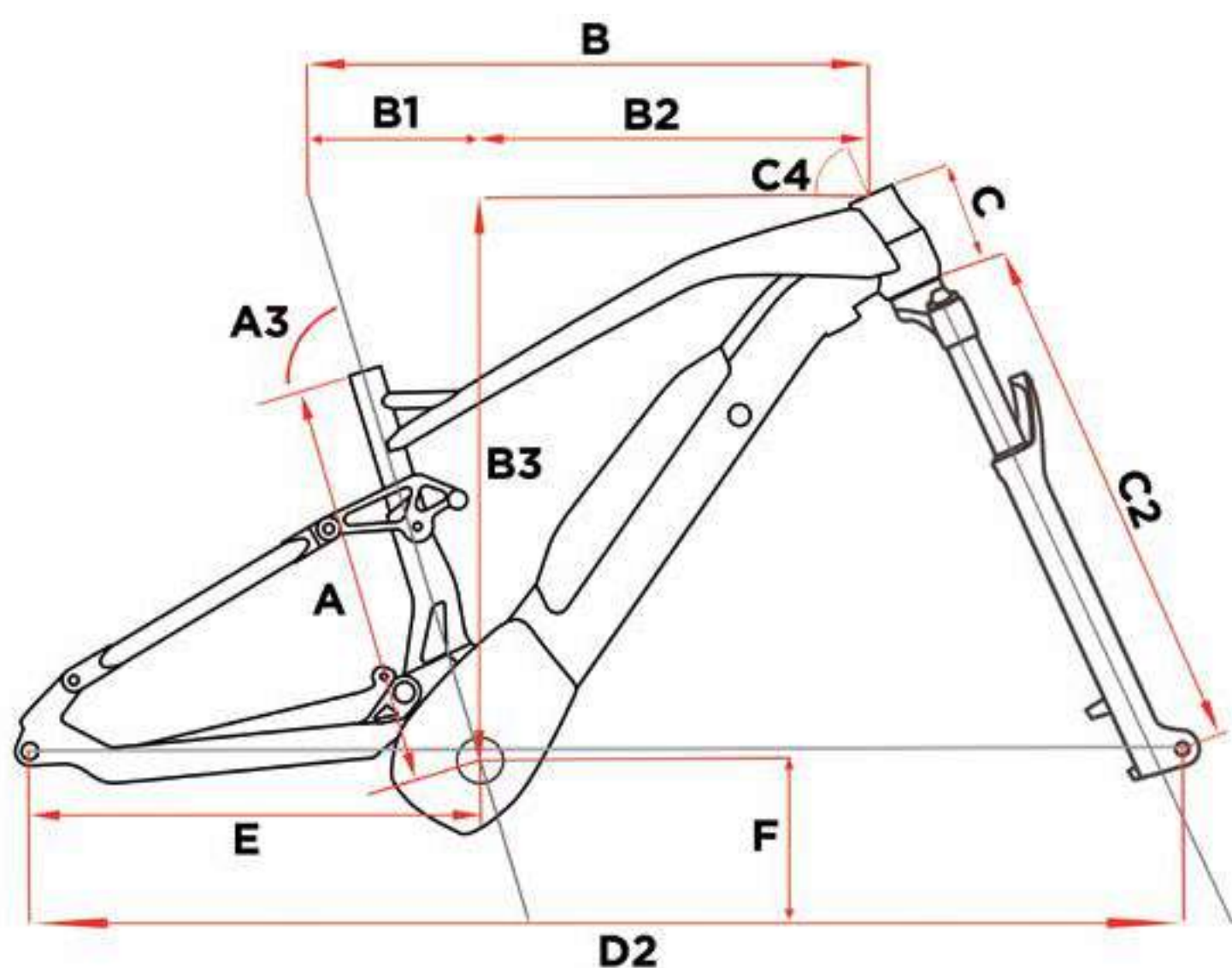


Motor	Brose S-Alu, Torque/Coppia: 90 Nm
Battery	Fantic, Lithium Ion, 36 Volt, 630Wh
Display	Brose All Round
Frame	Aluminum, sizes: S - M - L
Fork (**)	RockShox 35 Gold RL 150mm
Shock	RockShox Deluxe Select+
Chain rings	Sram 34t
Crank arm	Miranda 165mm
Rear derailleur	Sram GX AXS
Shift Levers	Sram GX AXS Eagle
Cassette	Sram SX, 12V, 11-50
Chain	Sram SX
Brake	Sram Guide T 4 Piston disc brake
Brake	Sram Guide T 4 Piston disc brake
Disc	SramCenterLine, 200mm - 6Hole
Disc	SramCenterLine, 180mm - 6Hole
Tires	Pirelli Scorpion Trail -S- 29"x 2.4
Tires	Pirelli Scorpion Trail -R- 29"x 2.4
Wheels	Rodi TRYP30
Handlebar	FSA Ø31,8 - Rise15mm - Sweep 6°
Stem	FSA Logo Ø31,8 - Rise +6°
Seatpost	Switch SW Ø 30.9, S - 80mm / M - 100mm / L - 125mm
Saddle	Selle Italia Model-X Comfort Superflow 145
Note	(*)
(**) Alternative fork / forcella alternativa Suntour Auron 35	

Sizes	S	M	L
A	390	430	490
A3	73	73	73
B	575	602	627
B1	166	169	174
B2	407	433	453
B3	615,8	625,0	641,5
C	105	115	130
C2	567	567	567
C4	66	66	66,5
D1	1193	1224	1244
E	472	472	472
F	358	358	358

(*) FANTIC MOTOR reserves the right to modify technical characteristics without prior notice.
All images are included for illustrative purposes. Products are subject to change.

XTF 1.5 Sport



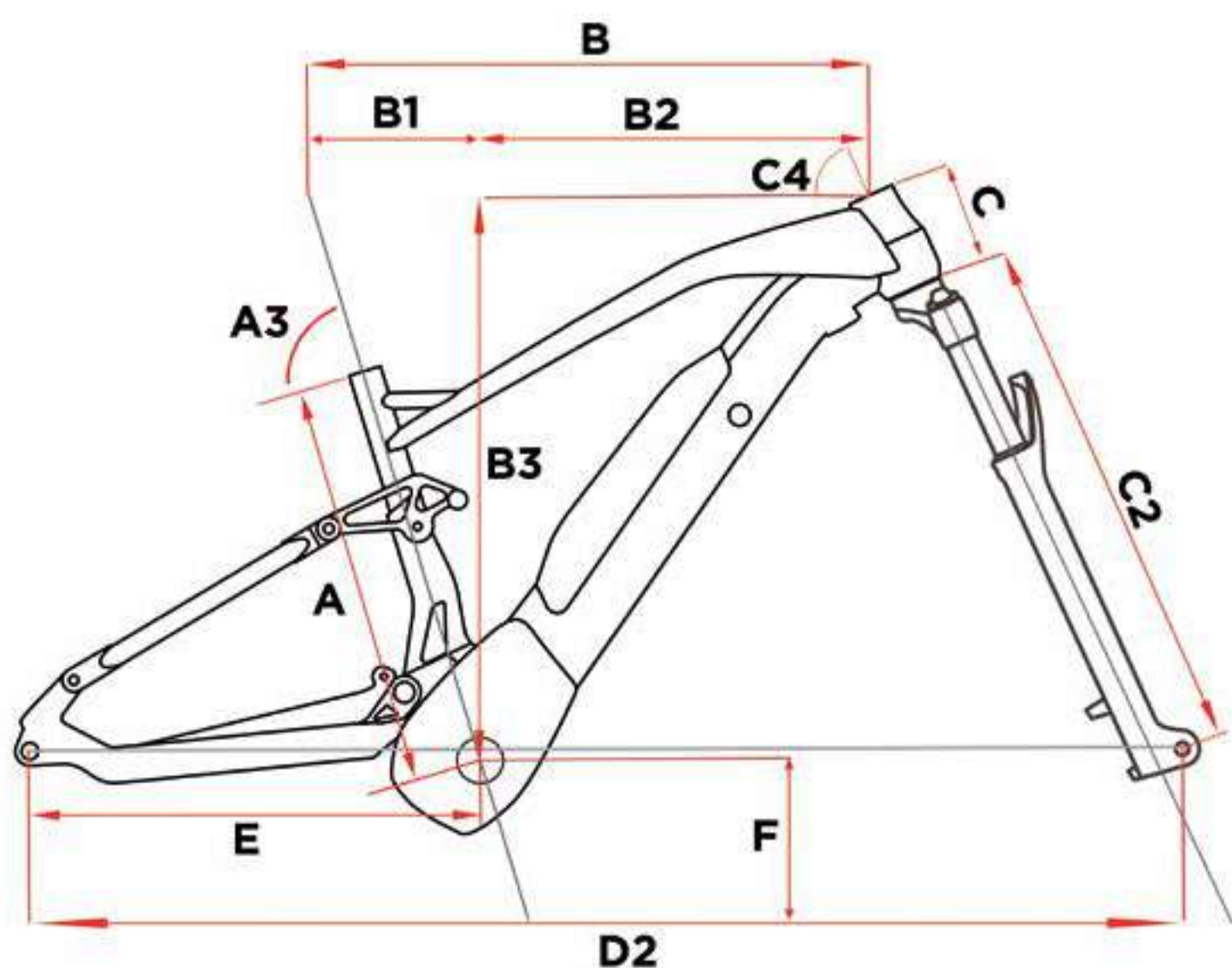
Motor	Brose S-Alu, Torque/Coppia: 90 Nm
Battery	Fantic, Lithium Ion, 36 Volt, 630Wh
Display	Brose All Round
Frame	Aluminum, sizes: S - M - L
Fork (**)	RockShox 35 Gold RL 150mm
Shock	RockShox Deluxe Select+
Chain rings	Sram 34t
Crank arm	Miranda
Rear derailleur	Sram NX
Shift Levers	Sram NX Eagle
Cassette	Sram SX, 12V, 11-50
Chain	Sram SX
Brake	Sram Guide T 4 Piston disc brake
Brake	Sram Guide T 4 Piston disc brake
Disc	SramCenterLine, 200mm - 6Hole
Disc	SramCenterLine, 180mm - 6Hole
Tires	Pirelli Scorpion Trail -S- 29"x 2.4
Tires	Pirelli Scorpion Trail -R- 29"x 2.4
Wheels	Rodi TRYP30
Handlebar	Promax ø31,8 760mm Rise 20mm
Stem	Promax 60MM ±6° ø31,8
Seatpost	Promax teles. SP-2038 Ø 30.9, S 80mm / M-L 100mm
Saddle	Selle Italia Model-X Comfort Superflow 145
Note	(*)
(**) Alternative fork / forcella alternativa Suntour Auron 35	

Sizes	S	M	L
A	390	430	490
A3	73	73	73
B	575	602	627
B1	166	169	174
B2	407	433	453
B3	615,8	625,0	641,5
C	105	115	130
C2	567	567	567
C4	66	66	66,5
D1	1193	1224	1244
E	472	472	472
F	358	358	358

(*) FANTIC MOTOR reserves the right to modify technical characteristics without prior notice.
All images are included for illustrative purposes. Products are subject to change.



XTF 1.5

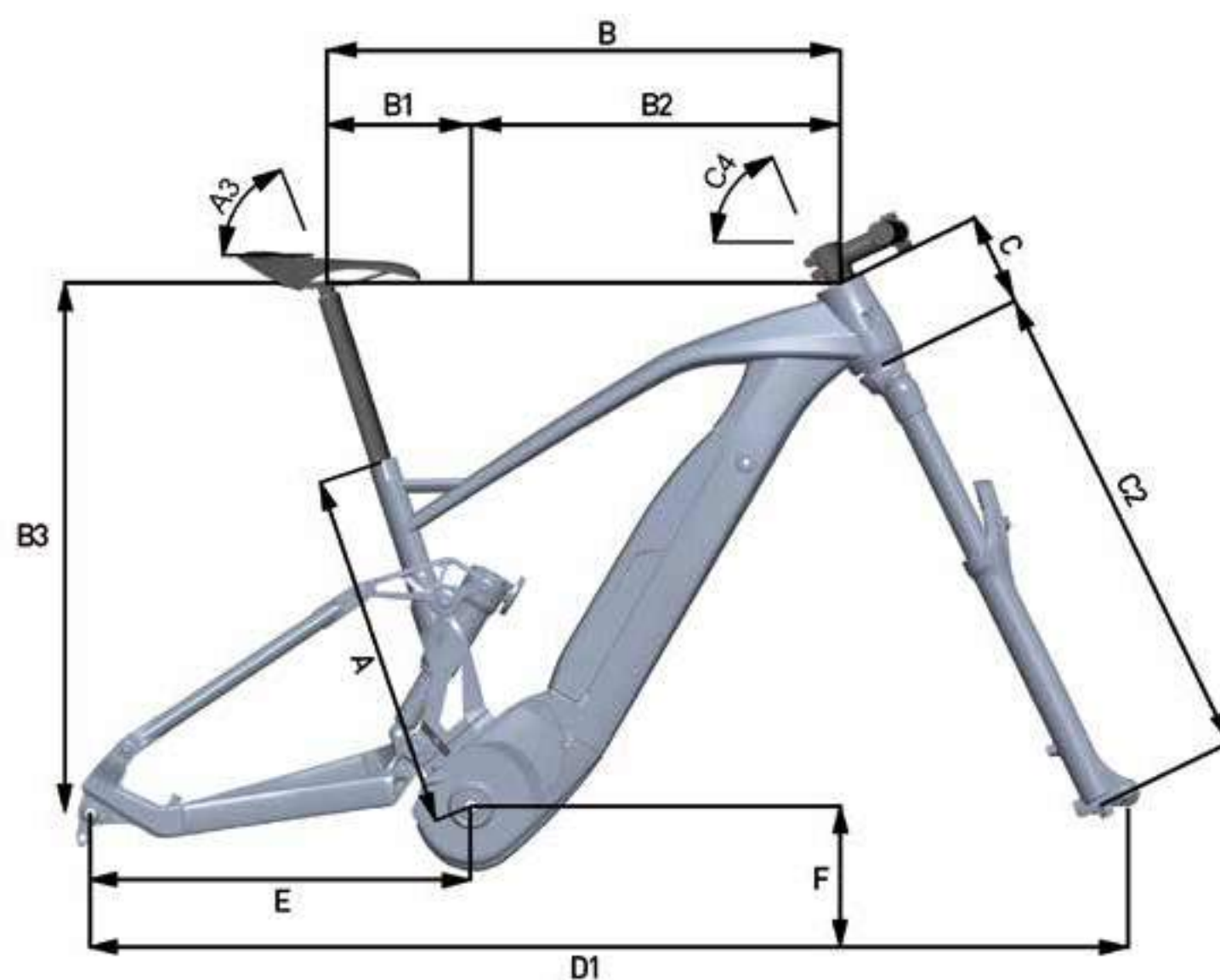


Motore	Brose S-Alu, Torque/Coppia: 90 Nm
Batteria	Fantic, Lithium Ion, 36 Volt, 630Wh
Display	Brose All Round
Telaio	Aluminum, sizes: S - M - L
Forcella (**)	RockShox Recon Silver RL 150mm
Ammortizzatore	RockShox Deluxe Select
Corona	Sram 34t
Pedivelle	Miranda
Deragliatore	Sram SX
Comandi cambio	Sram SX Eagle
Cassetta	Sram SX, 12V, 11-50
Catena	Sram SX
Freno ant.	Sram Level 2 Piston disc brake
Freno post.	Sram Level 2 Piston disc brake
Disco ant.	SramCenterLine, 200mm - 6Hole
Disco post.	SramCenterLine, 180mm - 6Hole
Pneumatici ant.	Pirelli Scorpion ProWall 29"x 2.4
Pneumatici post.	Pirelli Scorpion ProWall 29"x 2.4
Ruote	Rodi TRYP30
Manubrio	Promax ø31,8 760mm Rise 20mm
Attacco manubrio	Promax 60MM ±6° ø31,8
Reggisella	Promax teles. SP-2038 Ø 30.9, S 80mm / M-L 100mm
Sella	Selle Italia Model-X Comfort Superflow 145
Note	(*)
(**) Alternative fork / forcella alternativa Suntour Auron 35	

Misure	S	M	L
A	390	430	490
A3	73	73	73
B	575	602	627
B1	166	169	174
B2	407	433	453
B3	615,8	625,0	641,5
C	105	115	130
C2	567	567	567
C4	66	66	66,5
D1	1193	1224	1244
E	472	472	472
F	358	358	358

(*) FANTIC MOTOR reserves the right to modify technical characteristics without prior notice.
All images are included for illustrative purposes. Products are subject to change.

XMF 1.7 Carbon Race



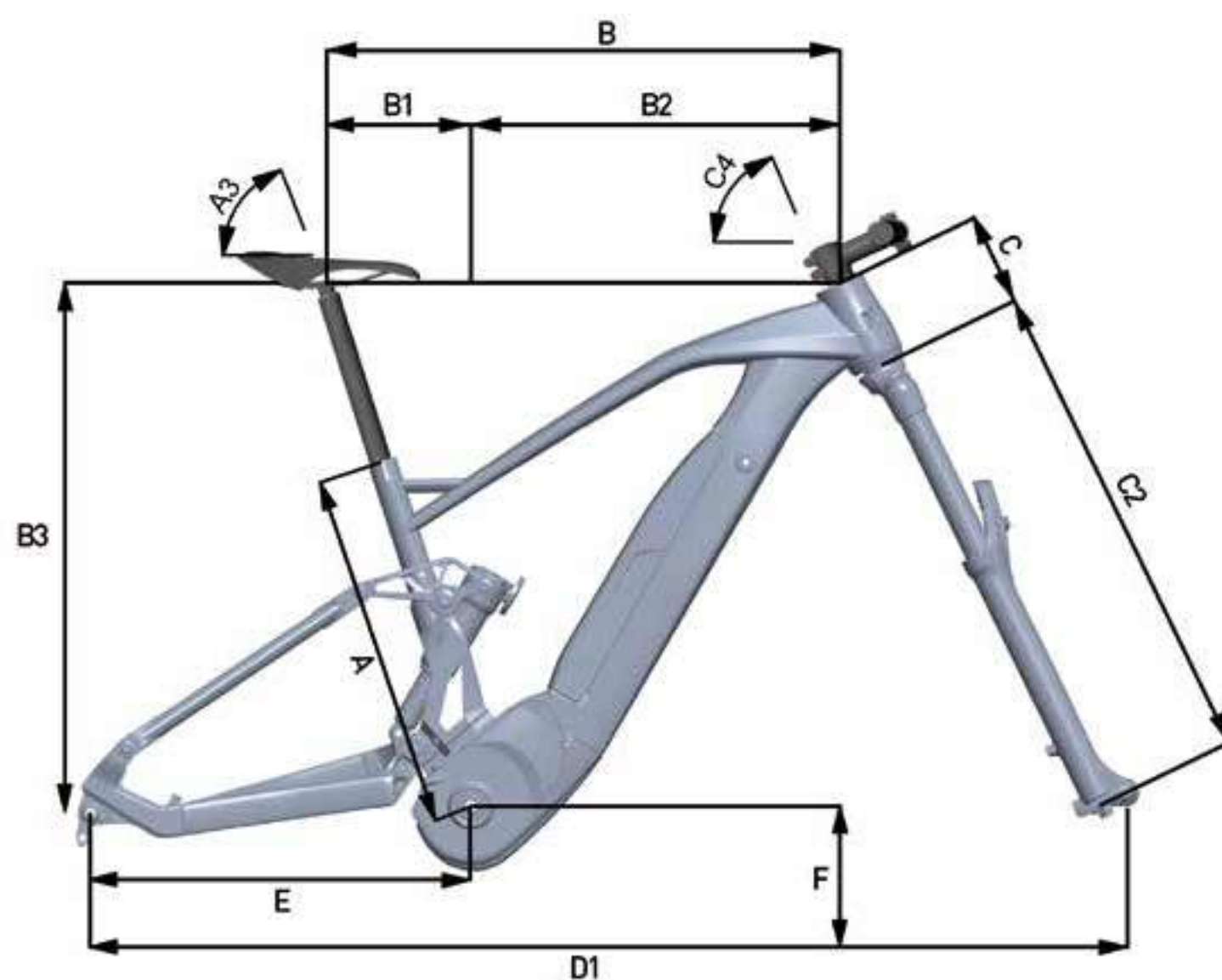
Motor	Brose S-Alu, Torque/Coppia: 90 Nm
Battery	Fantic, Lithium Ion, 36 Volt, 630Wh
Display	Brose All Round
Frame	Aluminum, sizes: S - M - L
Fork (**)	RockShox Recon Silver RL 150mm
Shock	RockShox Deluxe Select
Chain rings	Sram 34t
Crank arm	Miranda
Rear derailleur	Sram SX
Shift Levers	Sram SX Eagle
Cassette	Sram SX, 12V, 11-50
Chain	Sram SX
Brake	Sram Level 2 Piston disc brake
Brake	Sram Level 2 Piston disc brake
Disc	SramCenterLine, 200mm - 6Hole
Disc	SramCenterLine, 180mm - 6Hole
Tires	Pirelli Scorpion ProWall 29"x 2.4
Tires	Pirelli Scorpion ProWall 29"x 2.4
Wheels	Rodi TRYP30
Handlebar	Promax ø31,8 760mm Rise 20mm
Stem	Promax 60MM ±6° ø31,8
Seatpost	Promax teles. SP-2038 Ø 30.9, S 80mm / M-L 100mm
Saddle	Selle Italia Model-X Comfort Superflow 145
Note	(*)
(**) Alternative fork / forcella alternativa Suntour Auron 35	

Sizes	S	M	L
A	390	430	490
A3	73	73	73
B	575	602	627
B1	166	169	174
B2	407	433	453
B3	615,8	625,0	641,5
C	105	115	130
C2	567	567	567
C4	66	66	66,5
D1	1193	1224	1244
E	472	472	472
F	358	358	358

(*) FANTIC MOTOR reserves the right to modify technical characteristics without prior notice.
All images are included for illustrative purposes. Products are subject to change.

XMF 1.7

Carbon Sport

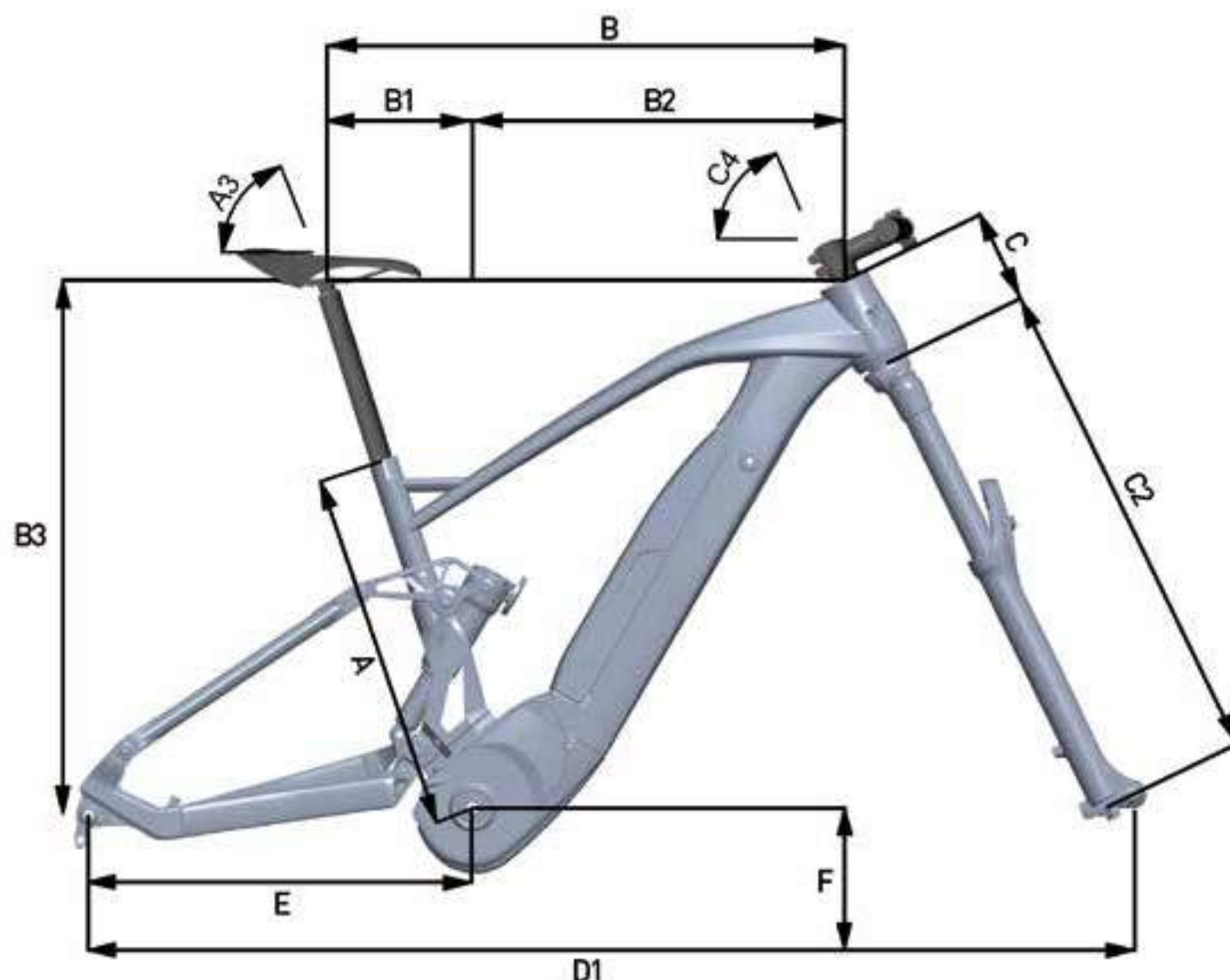


Motor	Brose S-Mag 36, Torque/Coppia: 90 Nm
Battery	Fantic, Lithium Ion, 36 Volt, 720Wh
Display	Brose All Round
Frame	Carbon, sizes: S - M - L
Fork (**)	Suntour DuroLux 38
Shock	RockShox SuperDeluxe Select+
Chain rings	Sram 34t
Crank arm	FSA
Rear derailleur	Sram GX
Shift Levers	Sram NX Eagle
Cassette	Sram SX, 12V, 11-50
Chain	Sram SX
Brake	Sram Code R 4 Piston disc brake
Brake	Sram Code R 4 Piston disc brake
Disc	Braking S3 Battfly, 220mm - 6Hole
Disc	Braking S3 Battfly, 203mm - 6Hole
Tires	Vittoria E-MARTELLLO 29"x 2.35
Tires	Vittoria E-Martello 27,5"x 2.6
Wheels	Fulcrum E-Fire 700 29"-27.5"
Handlebar	FSA Grid - 800mm - Ø35 - Rise 15mm
Stem	FSA Grid-50mm- Ø35 - Rise +6°
Seatpost	Switch SW Ø 30.9
Saddle	Selle Italia X Bow Superflow
Note	(*)
(**) Alternative fork / forcella alternativa RockShox Domain R 170mm	

Sizes	S	M	L
A	390	430	490
A3	73	73	73
B	586	596	628
B1	161	162	166
B2	425	454	480
B3	617,8	622,0	633,7
C	105	110	120
C2	581	581	581
C4	65	65	65,5
D1	1241	1245	1270,5
E	459	459	459
F	363,5	363,5	363,5

(*) FANTIC MOTOR reserves the right to modify technical characteristics without prior notice.
All images are included for illustrative purposes. Products are subject to change.

XMF 1.7

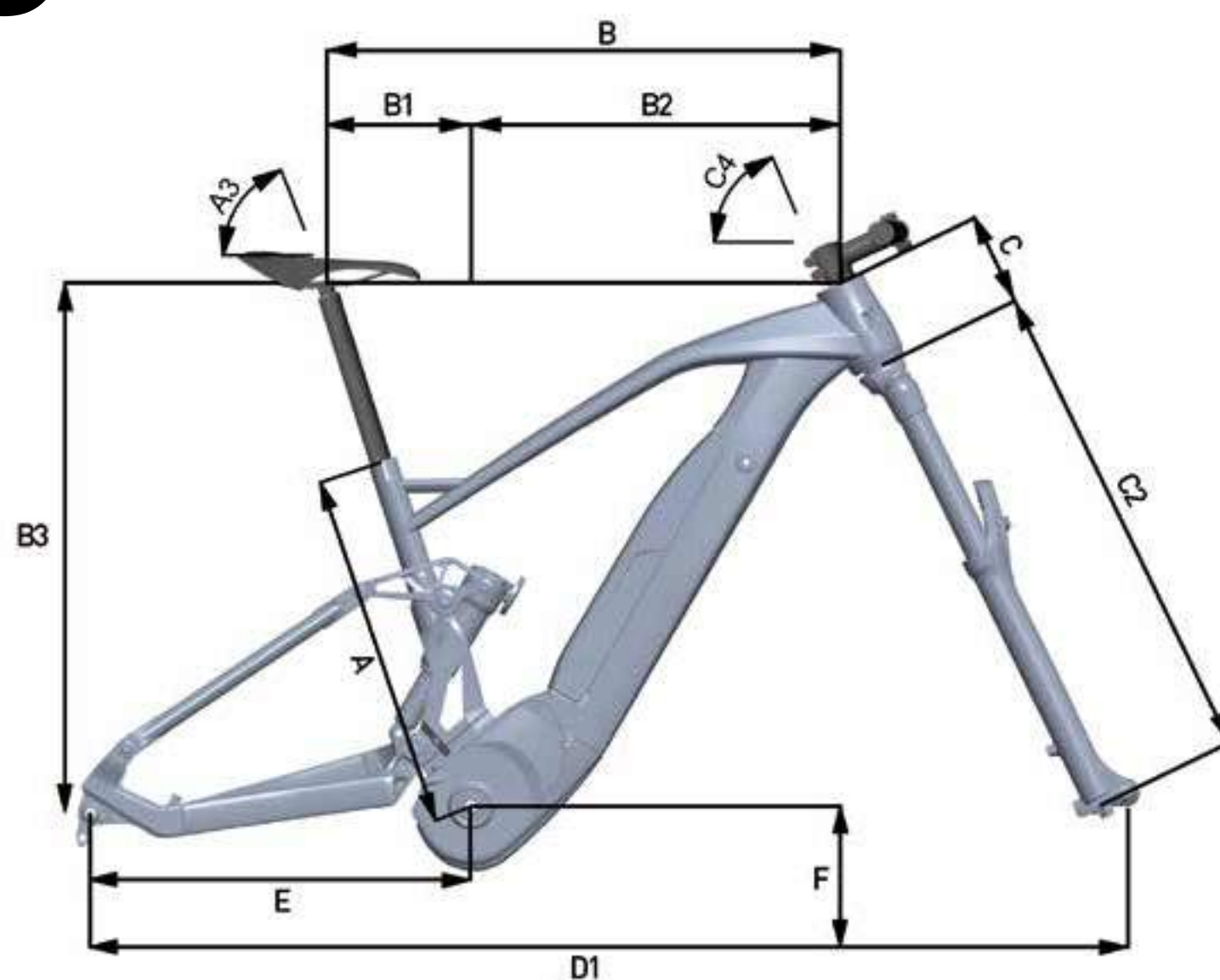


Motor	Brose S-Mag 36, Torque/Coppia: 90 Nm
Battery	Fantic, Lithium Ion, 36 Volt, 720Wh
Display	Brose All Round
Frame	Aluminum, sizes: S - M - L
Fork (**)	RockShox Domain R 170mm
Shock	RockShox Deluxe Select+
Chain rings	Sram 34t
Crank arm	FSA
Rear derailleur	Sram NX
Shift Levers	Sram NX Eagle
Cassette	Sram SX, 12V, 11-50
Chain	Sram SX
Brake	Sram Guide T 4 Piston disc brake
Brake	Sram Guide T 4 Piston disc brake
Disc	SramCenterLine, 220mm - 6Hole
Disc	SramCenterLine, 200mm - 6Hole
Tires	Vittoria E-Martello 29"x 2.35
Tires	Vittoria E-Martello 27,5"x 2.6
Wheels	Fulcrum E-Fire 700 29"-27.5"
Handlebar	FSA Comet-800mm - Ø35 - Rise 15mm
Stem	FSA Comet-50mm - Ø35 - Rise +6°
Seatpost	Switch SW Ø 30.9 S-M, L
Saddle	Selle Italia Model X Comfort Superflow 145
Note	(*)
(**) Alternative fork / forcella alternativa Suntour Durolux 36	

Sizes	S	M	L
A	390	430	490
A3	73	73	73
B	586	596	628
B1	161	162	166
B2	425	454	480
B3	617,8	622,0	633,7
C	105	110	120
C2	581	581	581
C4	65	65	65,5
D1	1241	1245	1270,5
E	459	459	459
F	363,5	363,5	363,5

(*) FANTIC MOTOR reserves the right to modify technical characteristics without prior notice. All images are included for illustrative purposes. Products are subject to change.

XEF 1.9 Factory

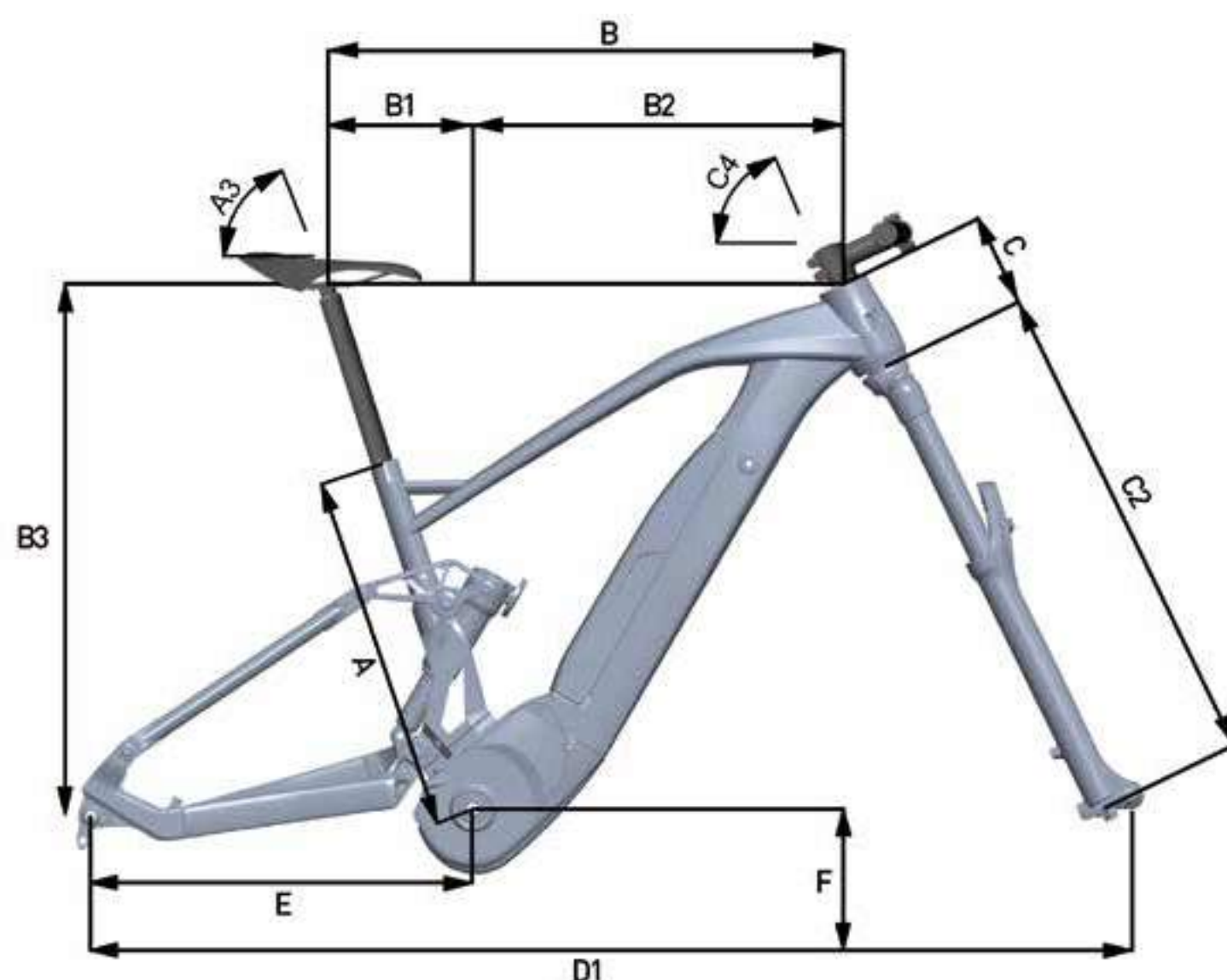


Motor	Brose S-Mag 36, Torque/Coppia: 90 Nm
Battery	Fantic, Lithium Ion, 36 Volt, 720Wh
Display	Brose Remote
Frame	Aluminum, sizes: S - M - L
Fork	RockShox Zeb Ultimate 190mm
Shock	Ohlins TTX 22M
Chain rings	Sram 34t
Crank arm	FSA
Rear derailleur	Sram GX AXS
Shift Levers	Sram GX AXS Eagle
Cassette	SunRace SilverRed, 12V, 11-51
Chain	Sram NX
Brake	Braking IN.CA.S disc brake
Brake	Braking IN.CA.S disc brake
Disc	Braking S3 Battfly, 220mm - 6Hole
Disc	Braking S3 Battfly, 203mm - 6Hole
Tires	Vittoria E-Mazza 29"x 2.6
Tires	Vittoria E-Martello 27,5"x 2.8
Wheels	Mavic E-Deemax 29"- 27.5"
Handlebar	Fantic Racing-800mm- Ø35 - Rise 20mm -Sand
Stem	Fantic Racing-35mm- Ø35
Seatpost	Crankbrothers HIGHLIGHT7 Ø 30.9
Saddle	Selle Italia Novus Boost X Cross Superflow
Note	(*)

Sizes	S	M	L
A	390	430	490
A3	73	73	73
B	586	596	628
B1	161	162	166
B2	425	454	480
B3	617,8	622,0	633,7
C	105	110	120
C2	581	581	581
C4	65	65	65,5
D1	1241	1245	1270,5
E	459	459	459
F	363,5	363,5	363,5

(*) FANTIC MOTOR reserves the right to modify technical characteristics without prior notice.
All images are included for illustrative purposes. Products are subject to change.

XEF 1.9 Race

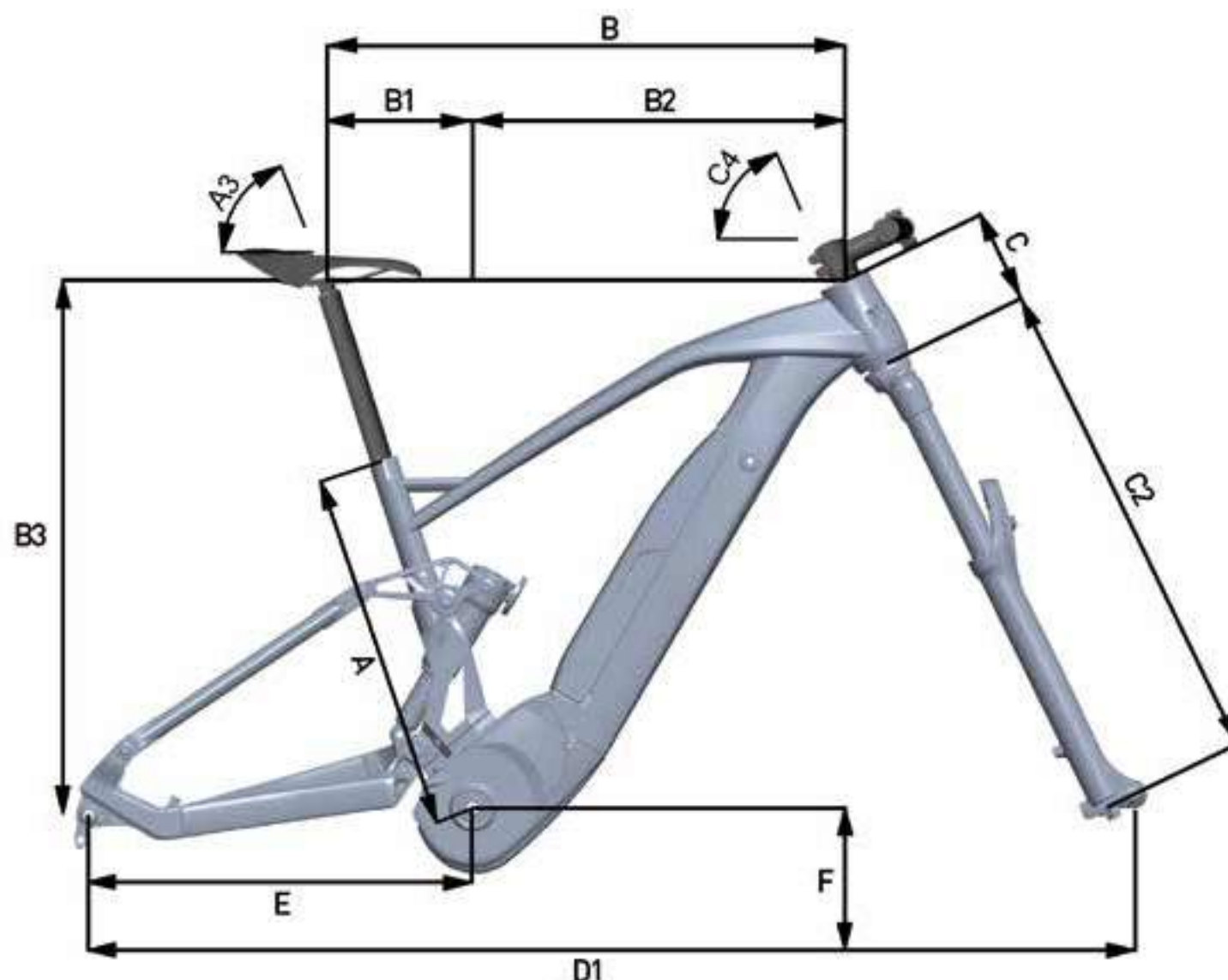


Motor	Brose S-Mag 36, Torque/Coppia: 90 Nm
Battery	Fantic, Lithium Ion, 36 Volt, 720Wh
Display	Brose Remote
Frame	Aluminum, sizes: S - M - L
Fork (**)	RockShox Zeb Select 190mm
Shock	RockShox SuperDeluxe Coil Select+
Chain rings	Sram 34t
Crank arm	FSA
Rear derailleur	Sram GX
Shift Levers	Sram GX Eagle
Cassette	Sram SX,12V, 11-50
Chain	Sram NX
Brake	Magura MT7 4 Piston disc brake
Brake	Magura MT7 4 Piston disc brake
Disc	Braking S3 Battfly, 220mm - 6Hole
Disc	Braking S3 Battfly, 203mm - 6Hole
Tires	Vittoria E-Mazza 29"x 2.6
Tires	Vittoria E-Martello 27,5"x 2.8
Wheels	Mavic E-Deemax 29"- 27.5"
Handlebar	FSA Gradient-800mm- Ø35 - Rise 15mm
Stem	FSA Gradient-35mm- Ø35 - Rise +6°
Seatpost	Crankbrothers HIGHLIGHT7 Ø 30.9 S-M, L
Saddle	Selle Italia Model-X Bow Superflow
Note	(*)
(**) Alternative fork / forcella alternativa Suntour Durolux 38 180mm	

Sizes	S	M	L
A	390	430	490
A3	73	73	73
B	586	596	628
B1	161	162	166
B2	425	454	480
B3	617,8	622,0	633,7
C	105	110	120
C2	581	581	581
C4	65	65	65,5
D1	1241	1245	1270,5
E	459	459	459
F	363,5	363,5	363,5

(*) FANTIC MOTOR reserves the right to modify technical characteristics without prior notice.
All images are included for illustrative purposes. Products are subject to change.

XEF 1.8 Sport

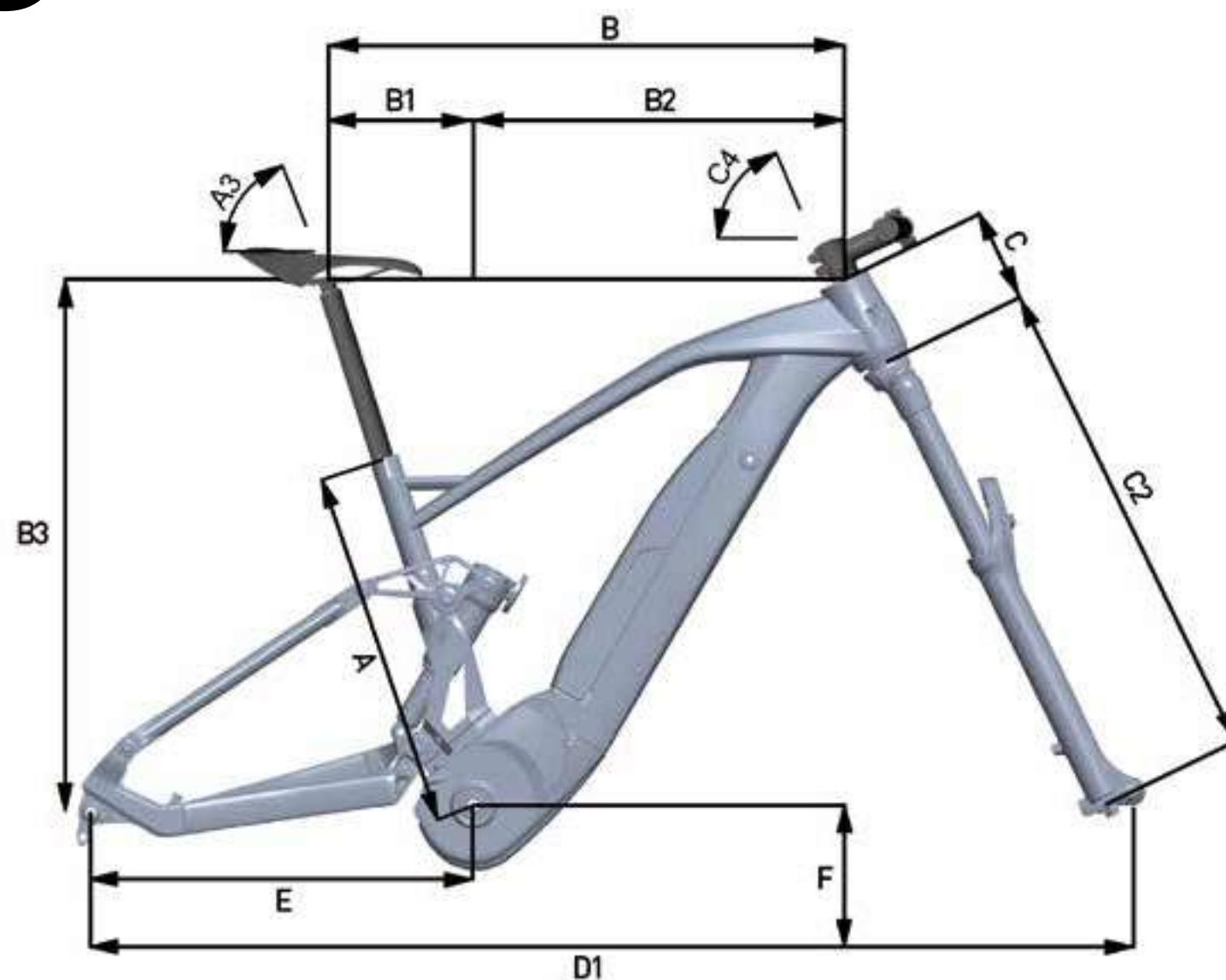


Motor	Brose S-Mag 36, Torque/Coppia: 90 Nm
Battery	Fantic, Lithium Ion, 36 Volt, 720Wh
Display	Brose Remote
Frame	Aluminum, sizes: S - M - L
Fork	RockShox Domain R 180mm
Shock	RockShox SuperDeluxe Coil Select+
Chain rings	Sram 34t
Crank arm	FSA
Rear derailleur	Sram NX
Shift Levers	Sram NX Eagle
Cassette	Sram SX, 12V, 11-50
Chain	Sram NX
Brake	Sram Code R 4 Piston disc brake
Brake	Sram Code R 4 Piston disc brake
Disc	Braking S3 Battfly, 220mm - 6Hole
Disc	Braking S3 Battfly, 203mm - 6Hole
Tires	Vittoria E-Mazza 29"x 2.6
Tires	Vittoria E-Martello 27,5"x 2.8
Wheels	Mavic E-Deemax 29"- 27.5"
Handlebar	FSA Comet-800mm- Ø35 - Rise 25mm
Stem	FSA Comet-35mm- Ø35 - Rise +6°
Seatpost	Switch SW Ø 30.9
Saddle	Selle Italia Model-X Comfort Superflow 145
Note	(*)

Sizes	S	M	L
A	390	430	490
A3	73	73	73
B	586	596	628
B1	161	162	166
B2	425	454	480
B3	617,8	622,0	633,7
C	105	110	120
C2	581	581	581
C4	65	65	65,5
D1	1241	1245	1270,5
E	459	459	459
F	363,5	363,5	363,5

(*) FANTIC MOTOR reserves the right to modify technical characteristics without prior notice. All images are included for illustrative purposes. Products are subject to change.

XXF 2.0 Factory

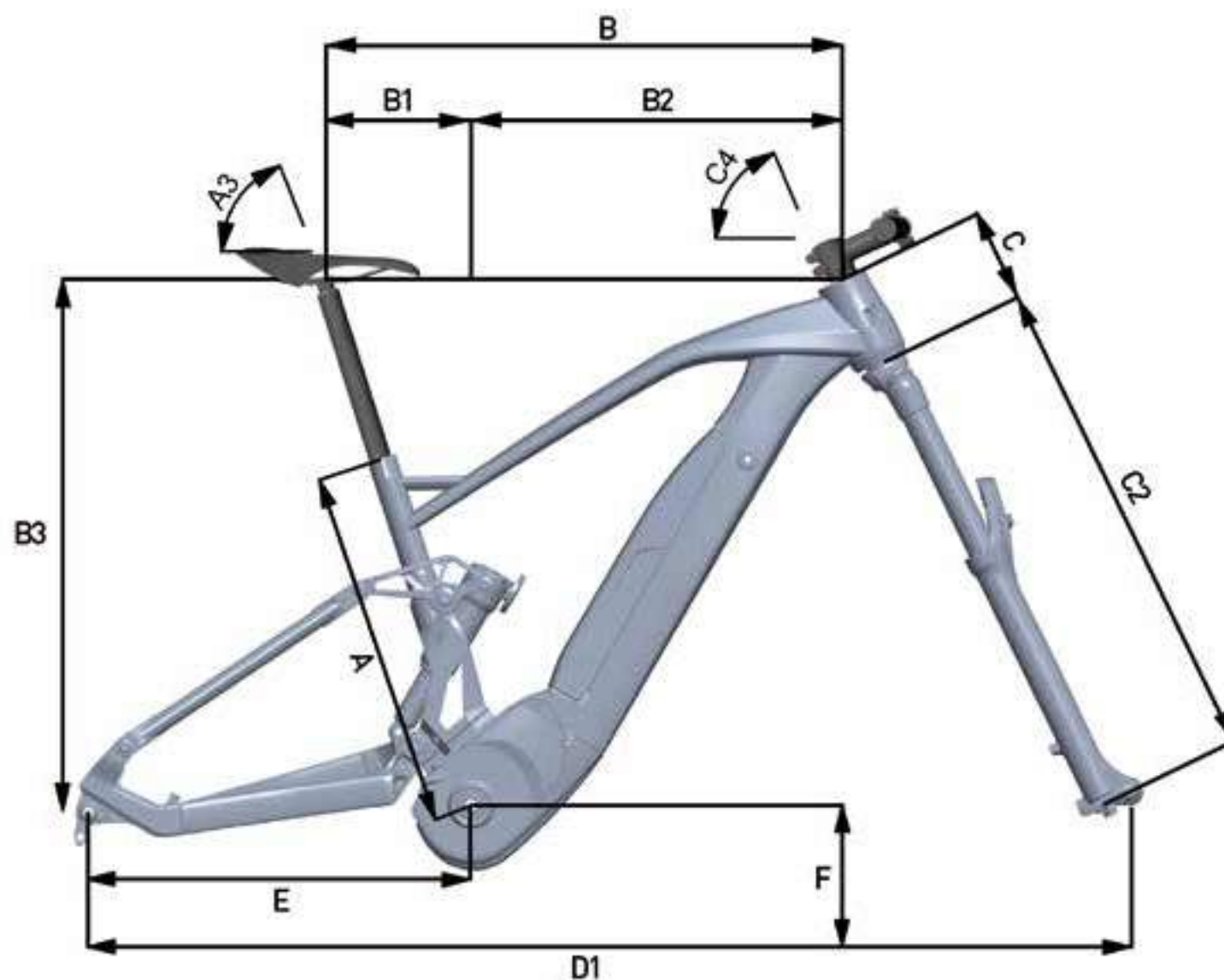


Motor	Brose S-Mag 36, Torque/Coppia: 90 Nm
Battery	Fantic, Lithium Ion, 36 Volt, 720Wh
Display	Brose Remote
Frame	Aluminum, sizes: S - M - L
Fork	Ohlins DH 38 200mm
Shock	Ohlins TTX 22M
Chain rings	Sram 34t
Crank arm	FSA
Rear derailleur	Sram GX
Shift Levers	Sram GX Eagle
Cassette	SunRace SilverRed, 12V, 11-51
Chain	Sram NX
Brake	Braking IN.CA.S disc brake
Brake	Braking IN.CA.S disc brake
Disc	Braking S3 Battfly, 220mm - 6Hole
Disc	Braking S3 Battfly, 203mm - 6Hole
Tires	Vittoria E-Mazza 29"x 2.6
Tires	Vittoria E-Martello 27,5"x 2.8
Wheels	Mavic E-Deemax 29"- 27.5"
Handlebar	Fantic Racing-800mm- Ø35 - Rise 30mm -Sand
Stem	Fantic Racing Diretto -35mm- Ø35
Seatpost	Crankbrothers HIGHLIGHT7 Ø 30.9
Saddle	Selle Italia Novus Boost X Cross Superflow
Note	(*)

Sizes	S	M	L
A	390	430	490
A3	73	73	73
B	586	596	628
B1	161	162	166
B2	425	454	480
B3	617,8	622,0	633,7
C	105	110	120
C2	581	581	581
C4	65	65	65,5
D1	1241	1245	1270,5
E	459	459	459
F	363,5	363,5	363,5

(*) FANTIC MOTOR reserves the right to modify technical characteristics without prior notice. All images are included for illustrative purposes. Products are subject to change.

XXF 2.0 Race

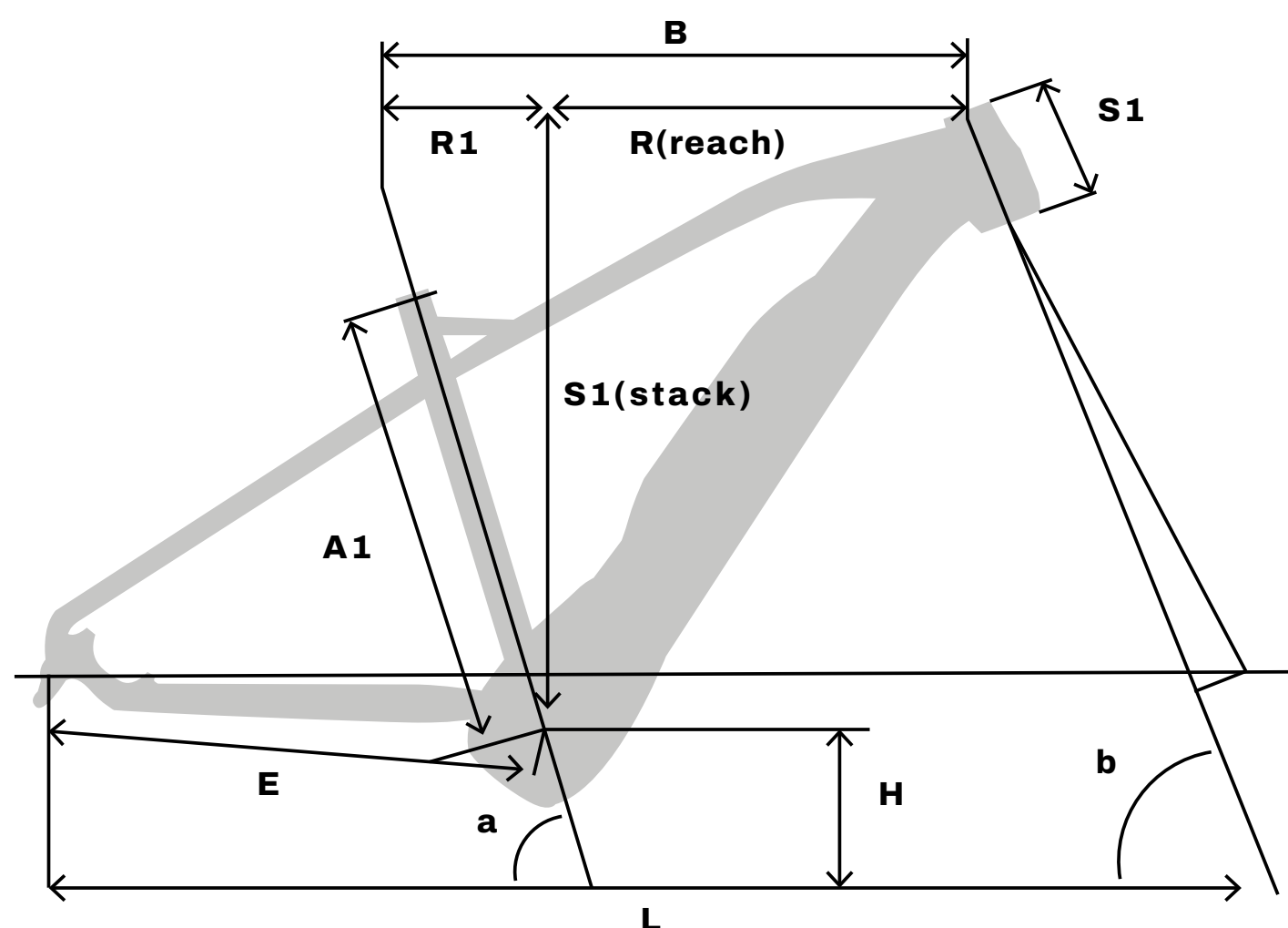


Motor	Brose S-Mag, Torque/Coppia: 90 Nm
Battery	Fantic, Lithium Ion, 36 Volt, 720Wh
Display	Brose Remote
Frame	Aluminum, sizes: S - M - L
Fork	RockShox Boxxer Select, 200mm
Shock	RockShox SuperDeluxe Coil Select+
Chain rings	Sram 34t
Crank arm	FSA
Rear derailleur	Sram NX
Shift Levers	Sram NX Eagle
Cassette	Sram SX Eagle 12V, 11-50
Chain	Sram NX
Brake	Magura MT7 4 Piston disc brake
Brake	Magura MT7 4 Piston disc brake
Disc	Braking S3 Battfly, 220mm - 6Hole
Disc	Braking S3 Battfly, 203mm - 6Hole
Tires	Vittoria E-Mazza 29"x 2.6
Tires	Vittoria E-Martello 27,5"x 2.8
Wheels	Mavic E-Deemax 29"- 27.5"
Handlebar	FSA Gradient-800mm- Ø35 - Rise 25mm
Stem	FSA Gradient Direct - Ø35 - 45mm
Seatpost	Switch SW Ø 30.9
Saddle	Selle Italia Model-X Comfort Superflow
Note	(*)

Sizes	S	M	L
A	390	430	490
A3	73	73	73
B	586	596	628
B1	161	162	166
B2	425	454	480
B3	617,8	622,0	633,7
C	105	110	120
C2	581	581	581
C4	65	65	65,5
D1	1241	1245	1270,5
E	459	459	459
F	363,5	363,5	363,5

(*) FANTIC MOTOR reserves the right to modify technical characteristics without prior notice. All images are included for illustrative purposes. Products are subject to change.

Fat Sport



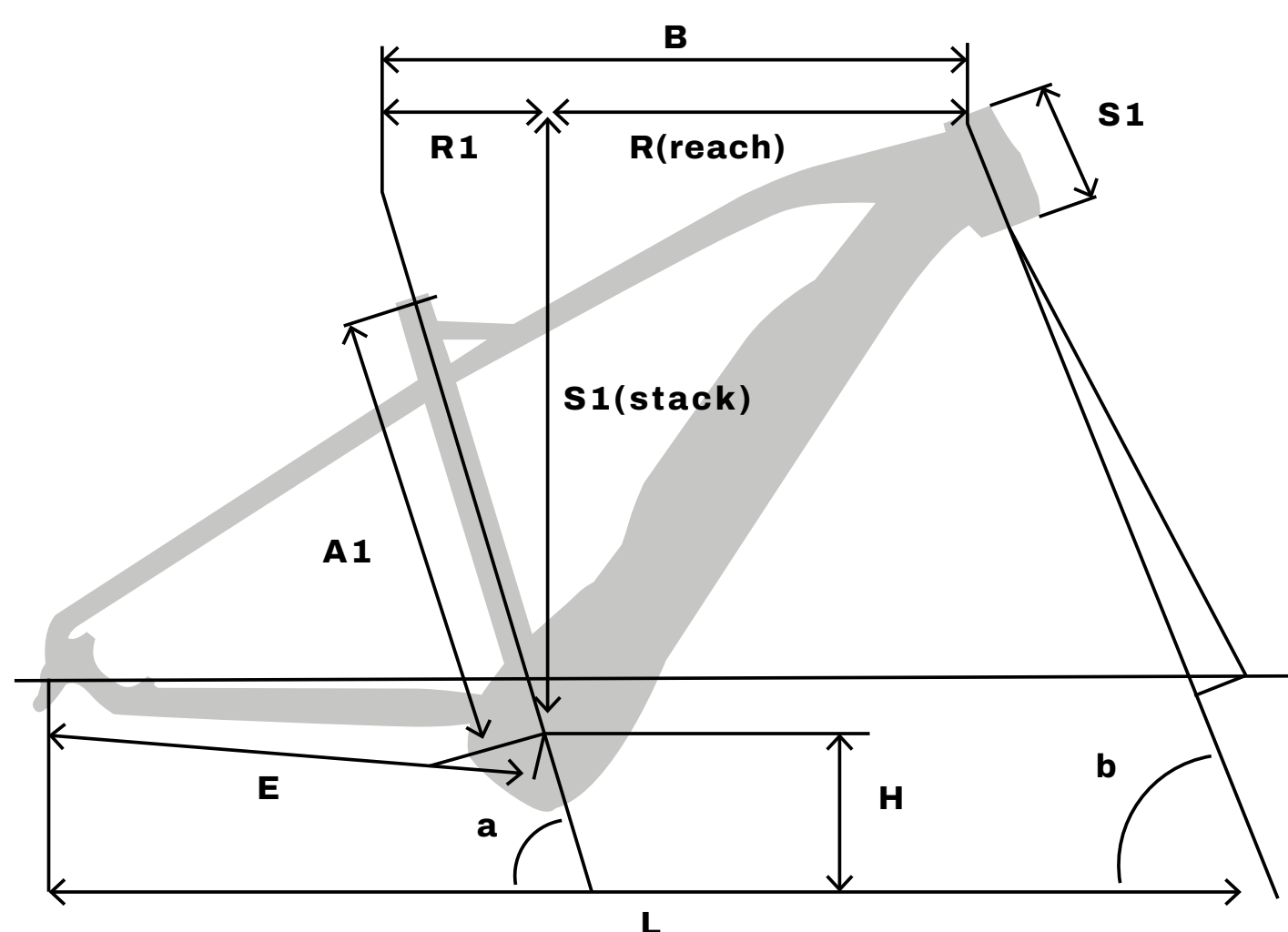
Motor	Brose T-Alu, Torque/Coppia: 70 Nm
Battery	Fantic, Lithium Ion, 36 Volt, 630Wh
Display	Brose All Round
Frame	Aluminium, sizes: S - M - L
Fork	RockShox Bluto, 120mm
Crankarm	Miranda
Groupset	Sram SX
Cassette	Sram SX Eagle 12V 11-50
Chain	Sram SX
Front brake	Sram Level, 2P, Hydraulic Disc Brake, 200mm disc
Rear brake	Sram Level, 2P, Hydraulic Disc Brake, 180mm disc
Tires	Schwalbe Jumbo-Jim, 26 X 4"
Wheels	Gipiemme 26"
Front hub	Gipiemme thru axle 15mm
Rear hub	Gipiemme thru axle 12mm
Handlebar	FSA Ø31,8 -760m- Rise 15mm
Stem	FSA Logo - Ø31,8 - 60mm - Rise ±6°
Seatpost	FSA Ø30.9
Saddle	Selle Italia Model X Comfort superflow
Note	(*)

Sizes	S	M	L
A	410	450	490
B	584	605	630
E	490	490	490
H	324	324	324
H1	56	56	56
L	1175	1179	1187
R	406	418	422
R1	175	187,5	207,5
S	610	613	638
S1	120	120	145
a	74°	73°	72°
b	68°	68,5°	69°

(*) FANTIC MOTOR reserves the right to modify technical characteristics without prior notice. All images are included for illustrative purposes. Products are subject to change.



Integra XF2

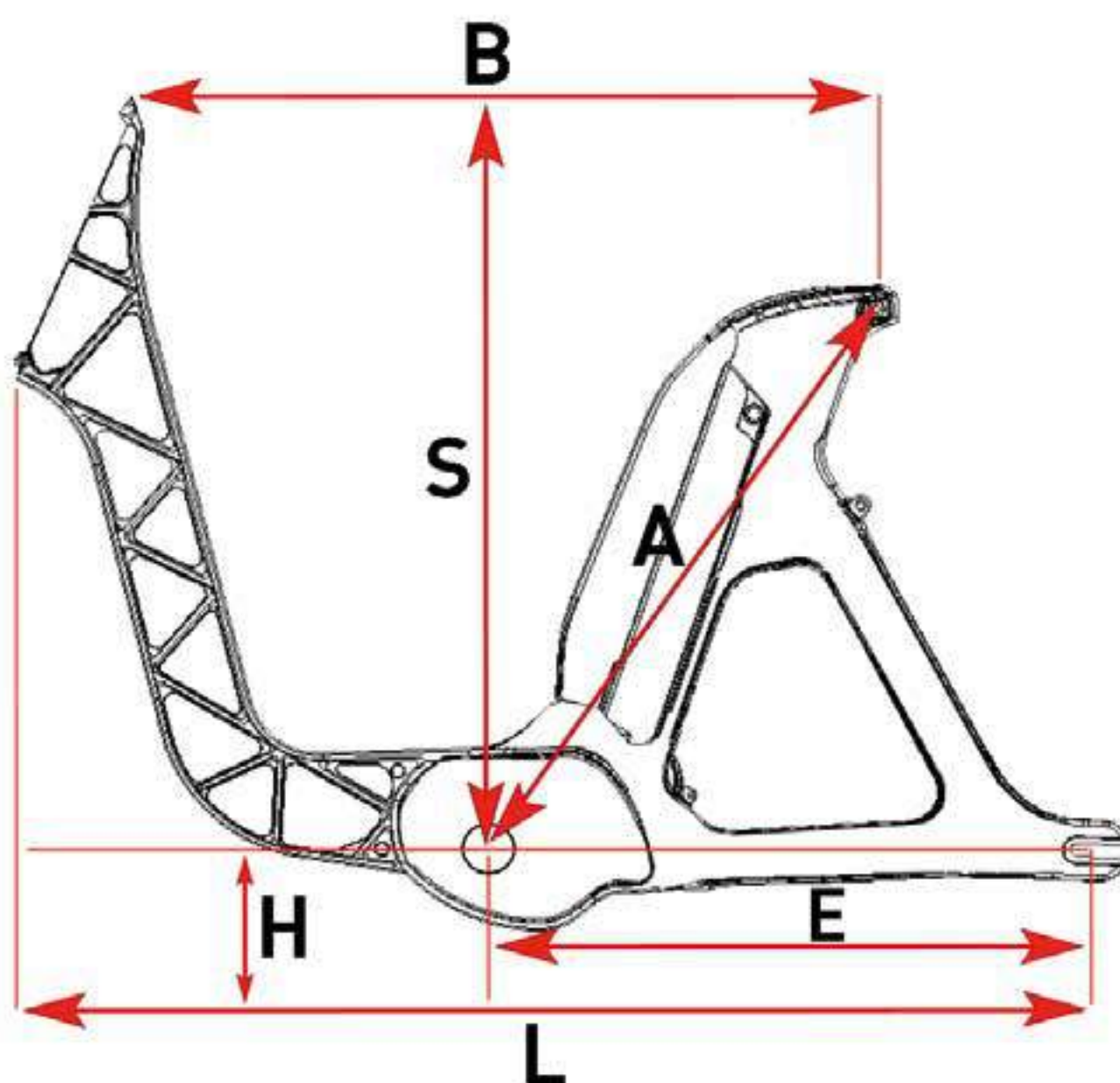


Motor	Brose T-Alu, Torque/Coppia: 70 Nm
Battery	Fantic, Lithium Ion, 36 Volt, 630Wh
Display	Brose All Round
Frame	Aluminium, sizes: S - M - L
Fork	RockShox Recon Silver RL, 120mm
Crankarm	Miranda
Groupset	Sram SX Eagle
Cassette	Sram SX,12V, 11-50
Chain	Sram SX
Front brake	Sram Level, 2P, Hydraulic Disc Brake, 200mm disc
Rear brake	Sram Level, 2P, Hydraulic Disc Brake, 180mm disc
Tires	Vittoria Barzo, front 29"x 2.25" / Rear 27.5" x 2.6"
Wheels	Gipiemme, tubeless ready
Front hub	Gipiemme N28, 110mm, boost, thru axle 15mm
Rear hub	Gipiemme N33, 148mm, boost, thru axle 12mm
Handlebar	FSA Ø31,8 -760m- Rise 15mm
Stem	FSA Logo - Ø31,8 - 60mm - Rise ±6°
Seatpost	FSA
Saddle	Selle Italia Model X Comfort superflow
Note	(*)

Sizes	S	M	L
A	410	450	490
B	584	605	630
E	490	490	490
H	324	324	324
H1	56	56	56
L	1175	1179	1187
R	406	418	422
R1	175	187,5	207,5
S	610	613	638
S1	120	120	145
a	74°	73°	72°
b	68°	68,5°	69°

(*) FANTIC MOTOR reserves the right to modify technical characteristics without prior notice. All images are included for illustrative purposes. Products are subject to change.

Issimo Fun



Motor Bafang M500, Torque/Coppia: 95 Nm

Battery Fantic, Lithium Ion, 36 Volt, 630Wh

Frame Aluminum frame, Unix Design,
One Size / Colors: Black, White, Silver.

Fork Zoom 80mm

Groupset Enviolo City

Crankset 40Th Chain rings

Cassette 16Th Chain rings

Front/Rear brake Radius BH-M960

Tires Vee-Tire Co - 20"X4" Mission Command

Wheels Gipiemme 20" FAT

Light Led, front Trelock Veo 50 /
Rear: Spanninga Pimento

Note (*)

Sizes

A 390

B 568

E 460

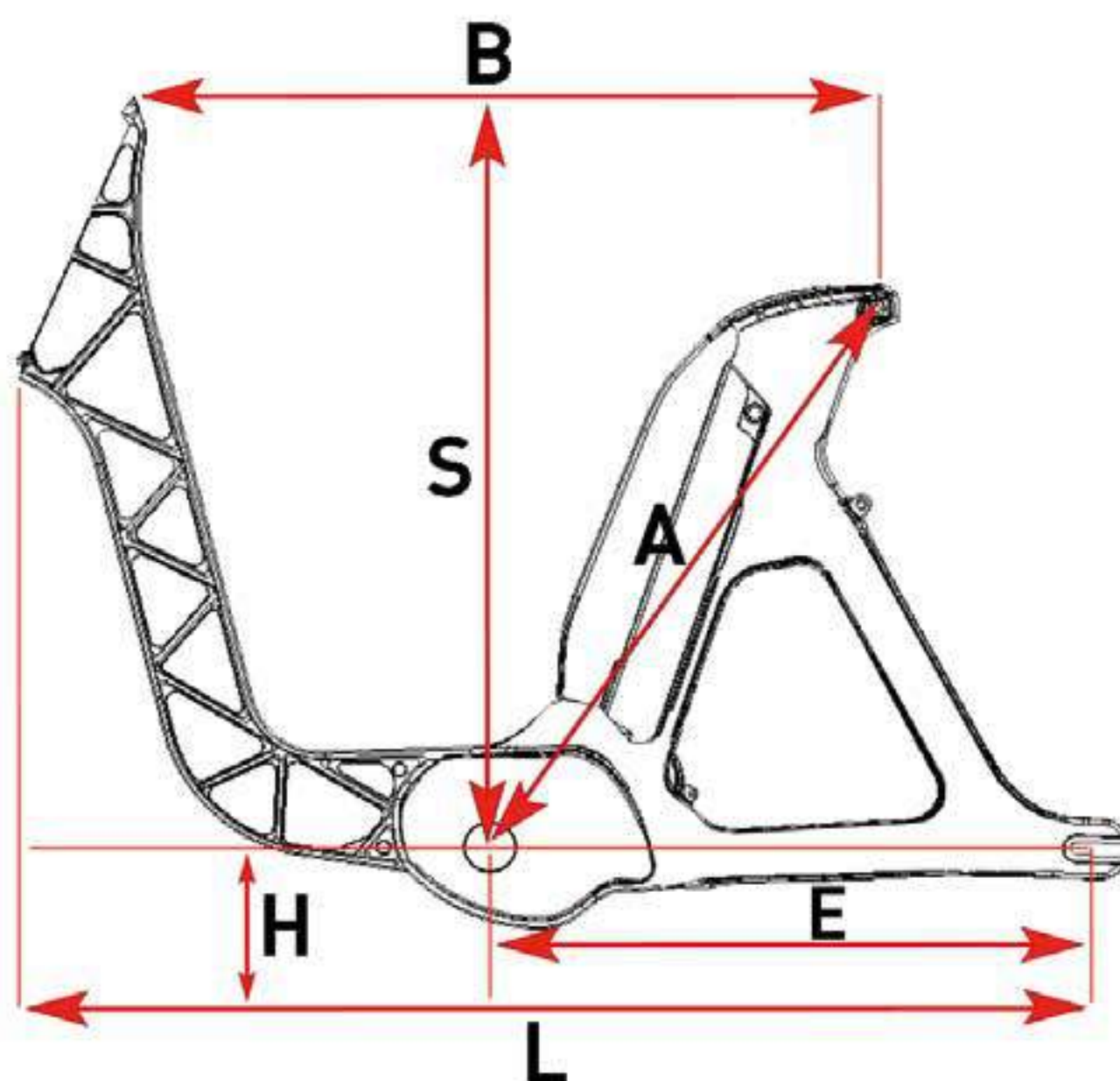
H 358

L 1197

S 398,22

(*) FANTIC MOTOR reserves the right to modify technical characteristics without prior notice.
All images are included for illustrative purposes. Products are subject to change.

Issimo Urban



Motor Bafang M500, Torque/Coppia: 95 Nm

Battery Fantic, Lithium Ion, 36 Volt, 630Wh

Frame Aluminum frame, Unix Design,
One Size / Colors: Black, White, Silver.

Fork Zoom 80mm

Groupset Enviolo City

Crankset 40Th Chain rings

Cassette 16Th Chain rings

Front/Rear brake Radius BH-M960

Tires Vee-Tire Co - 20"X4" Speedster

Wheels Gipiemme 20" FAT

Light Led, front Trelock Veo 50 /
Rear: Spanninga Pimento

Note (*)

Sizes

A 390

B 568

E 460

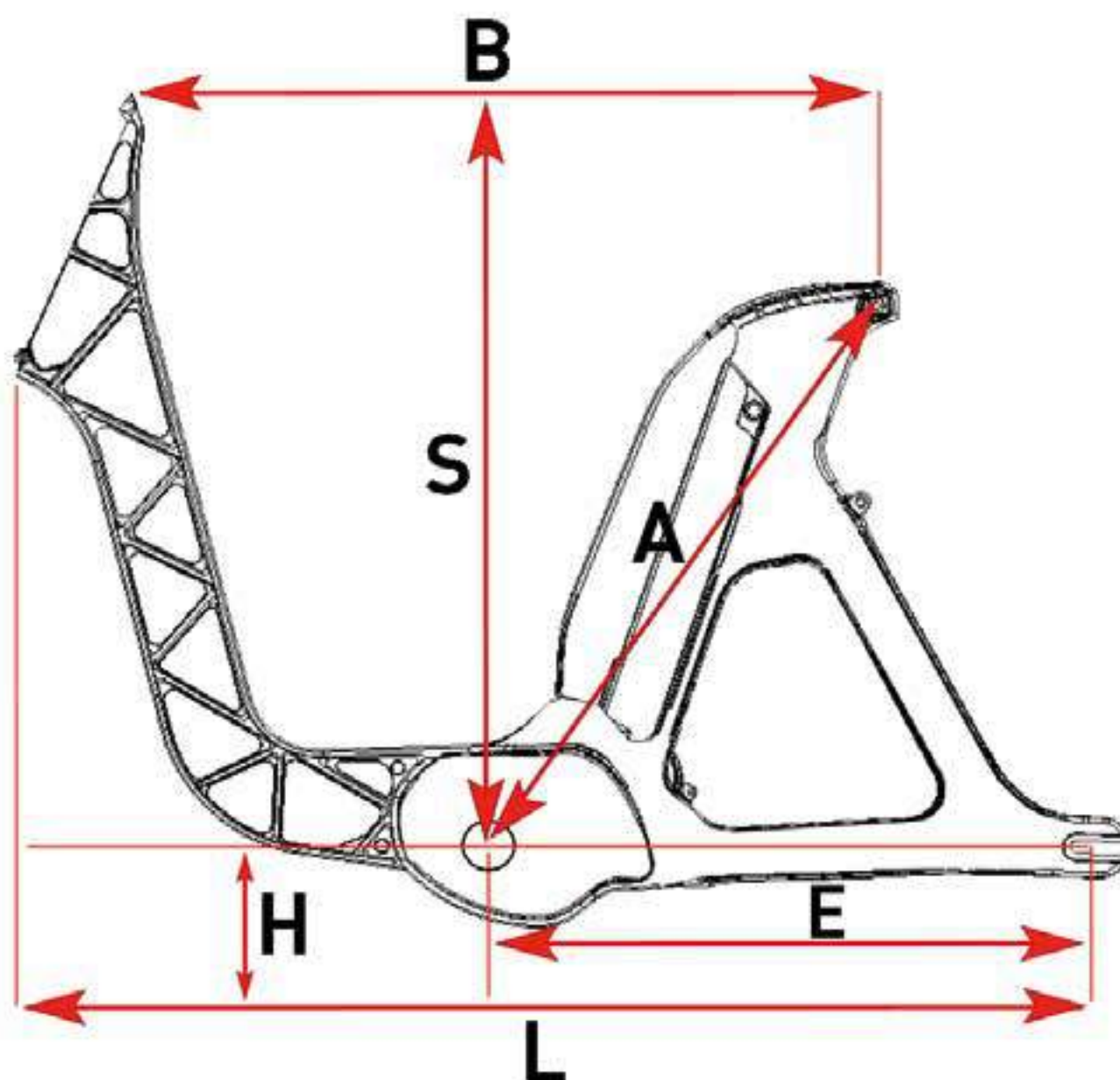
H 358

L 1197

S 398,22

(*) FANTIC MOTOR reserves the right to modify technical characteristics without prior notice.
All images are included for illustrative purposes. Products are subject to change.

Issimo 45



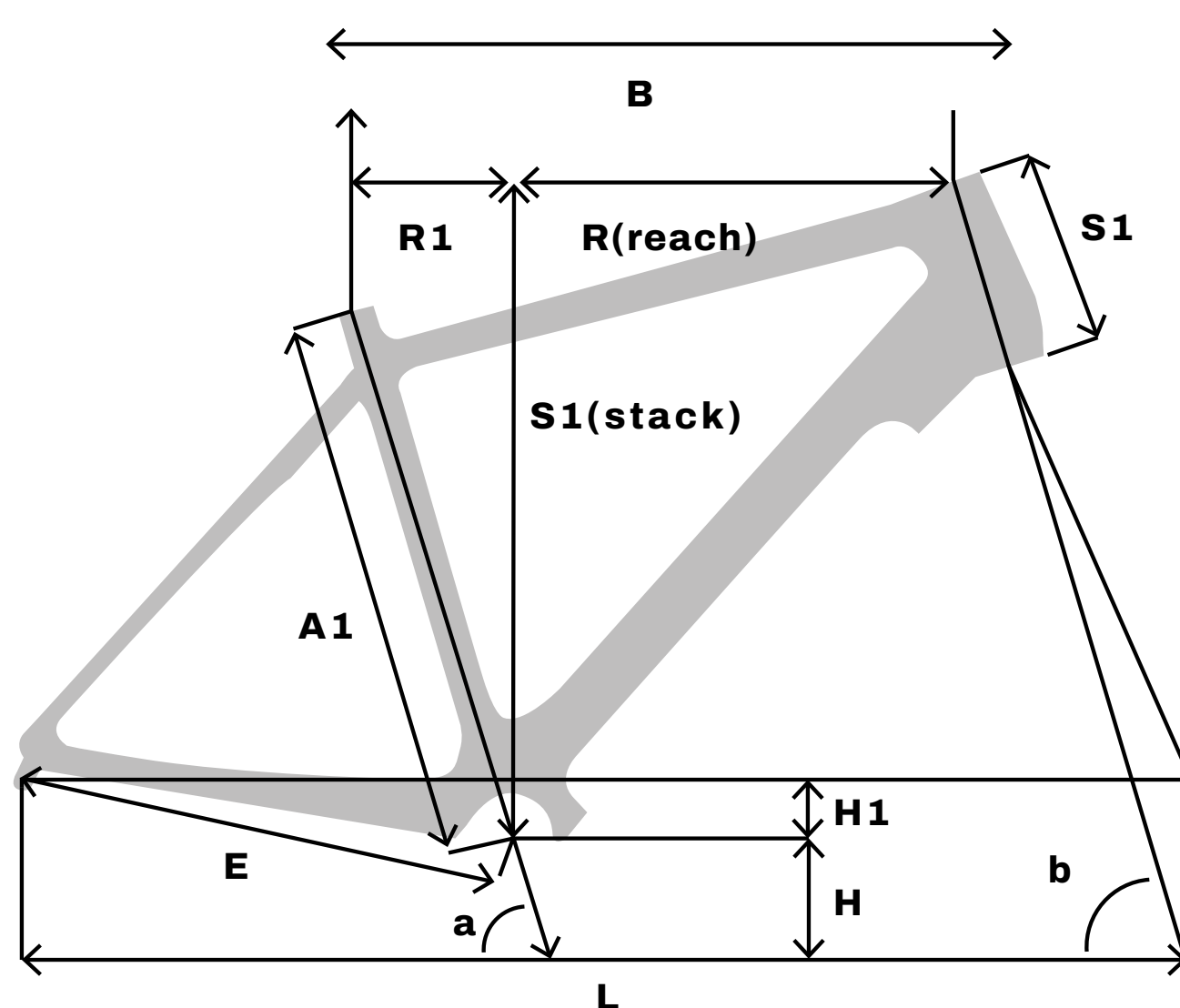
Motor	Bafang M600, Max power: 500 Watt, Torque/Coppia: 120 Nm
Battery	Fantic, Lithium Ion, 43 Volt, 600Wh
Frame	Aluminum, Unix Design, One Size / Colors: Black, White, Silver.
Fork	Zoom 80mm
Groupset	Enviolo Heavy Duty
Crankset	36Th Chain rings
Front/Rear brake	Radius BH-M870-E with cut-off
Tires	Vee-Tire Co - 20"X4" Speedster
Wheels	Gipiemme 20" FAT
Light	A led, anteriore Roxim Z4E Elite / posteriore Koso Led taillight mini
Note	(*)

Sizes	
A	390
B	568
E	460
H	358
L	1197
S	398,22

(*) FANTIC MOTOR reserves the right to modify technical characteristics without prior notice.
All images are included for illustrative purposes. Products are subject to change.



Seven Days Living

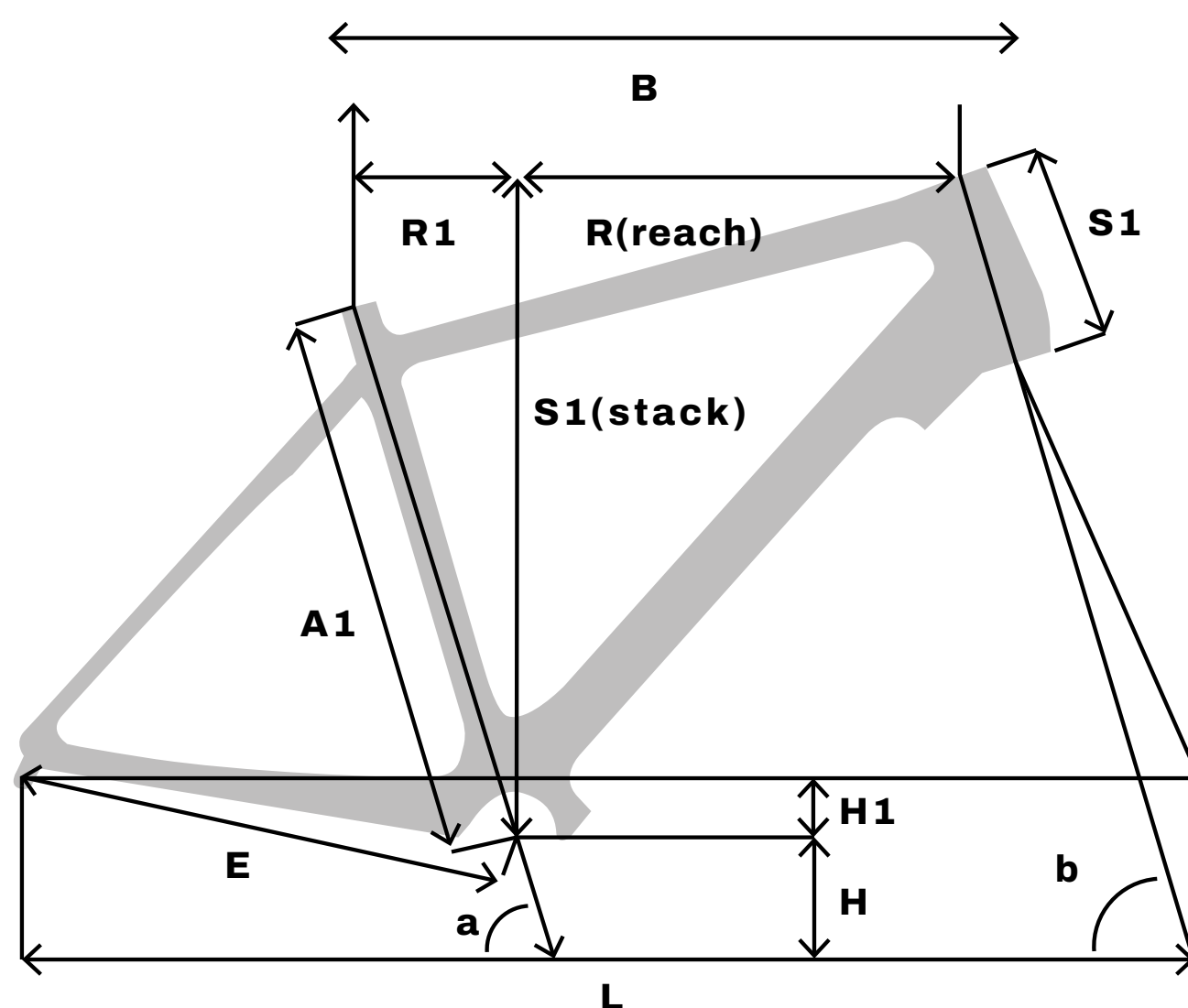


Motor	Brose T-Alu, Torque/Coppia: 70Nm
Battery	Fantic, Lithium Ion, 36 Volt, 630Wh
Display	Brose All Round
Frame	Aluminium, sizes: S-M-L
Fork	RockShox Recon 29, 100mm
Crankset	Miranda
Groupset	Sram SX Eagle
Cassette	Sram SX, 12V, 11-50
Chain	Sram SX
Front brake	Sram Level steel hydraulic 2P, 180mm disc
Rear brake	Sram Level steel hydraulic 2P, 180mm disc
Tires	Vittoria E-Randonneur
Rim and Spokes	GBC, Aluminium, 28"
Front hub	GBC, 110mm Boost
Rear hub	GBC, 148mm Boost
Handlebar	GBC Over Back - 680mm, RISE 25mm
Stem	GBC Ahead Set over - 70MM
Saddle and Grips	Selle Italia ST 5 GF / Urban Gist
Pedals	Aluminium
Note	(*)

Sizes	S	M	L
A1	410	450	490
B	580,5	605,5	630,7
E	465,2	465,2	465
H	309,5	309,5	309,5
H1	50,5	50,5	50,5
L	1152,7	1161,1	1169,6
R	403,5	413,5	417,5
R1	177	192	212
S	616,9	628,7	654,5
S1	110	120	145
a	73,7°	72,8°	71,8°
b	67,8°	68,3°	68,8°

(*) FANTIC MOTOR reserves the right to modify technical characteristics without prior notice.
All images are included for illustrative purposes. Products are subject to change.

Seven Days Living Easy



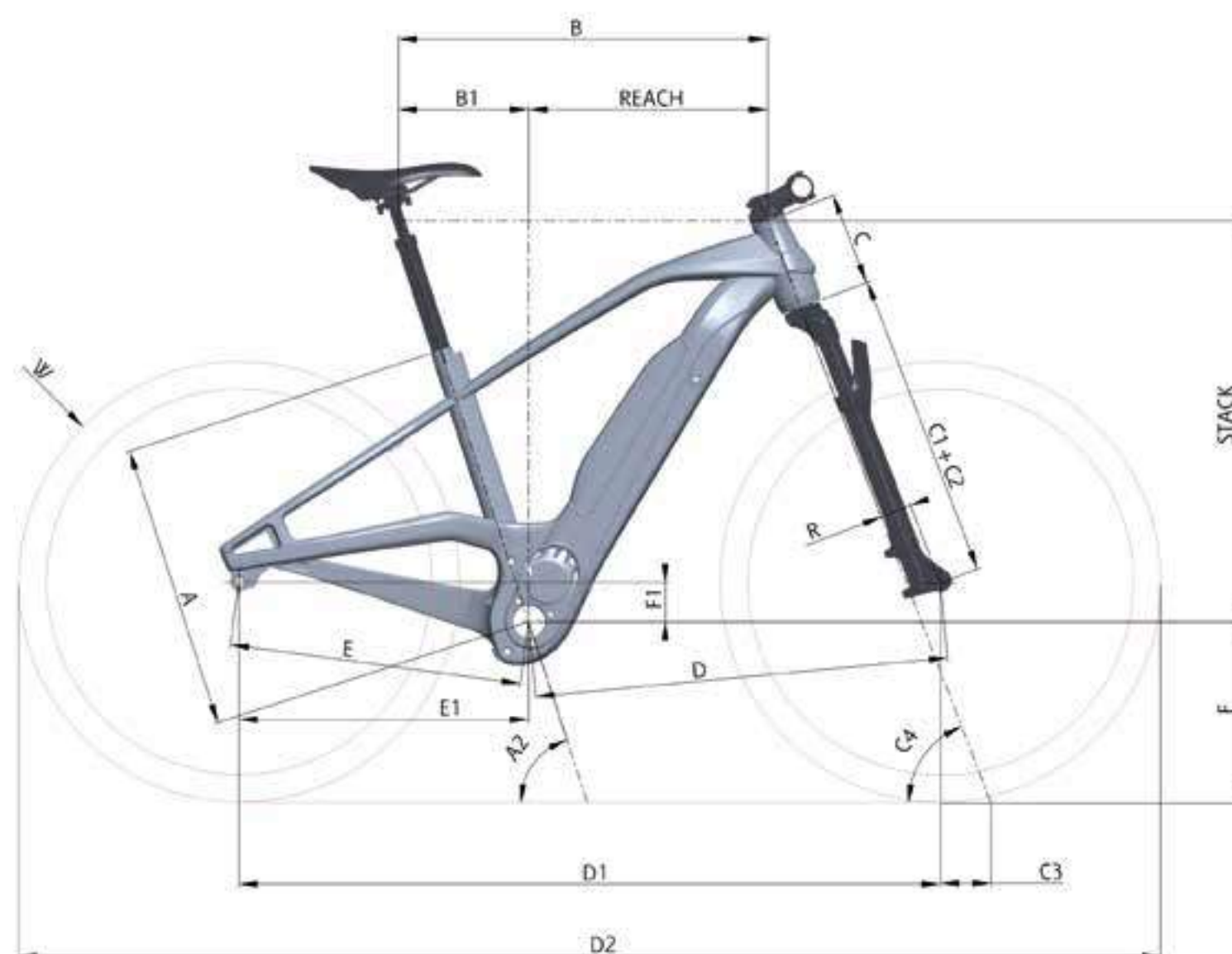
Motor	Brose T, Torque/Coppia: 70Nm
Battery	Fantic, Lithium Ion, 36 Volt, 630Wh
Display	Brose All Round
Frame	Aluminium, sizes: S/M - L/XL
Fork	RockShox Recon 29, 100mm
Crankset	Miranda
Groupset	Sram SX Eagle
Cassette	Sram SX, 12V, 11-50
Chain	Sram SX
Front brake	Sram Level steel hydraulic 2P, 180mm disc
Rear brake	Sram Level steel hydraulic 2P, 180mm disc
Tires	Vittoria E-Randonneur
Rim and Spokes	GBC, Aluminium, 28"
Front hub	GBC, 110mm Boost
Rear hub	GBC, 148mm Boost
Handlebar	GBC Over Back - 680mm, RISE 25mm
Stem	GBC Ahead Set over - 70MM
Saddle and Grips	Selle Italia ST 5 GF / Urban Gist
Pedals	Aluminium
Note	(*)

Sizes	S	M	L
A1	410	450	490
B	580,5	605,5	630,7
E	465,2	465,2	465
H	309,5	309,5	309,5
H1	50,5	50,5	50,5
L	1152,7	1161,1	1169,6
R	403,5	413,5	417,5
R1	177	192	212
S	616,9	628,7	654,5
S1	110	120	145
a	73,7°	72,8°	71,8°
b	67,8°	68,3°	68,8°

(*) FANTIC MOTOR reserves the right to modify technical characteristics without prior notice. All images are included for illustrative purposes. Products are subject to change.



Living

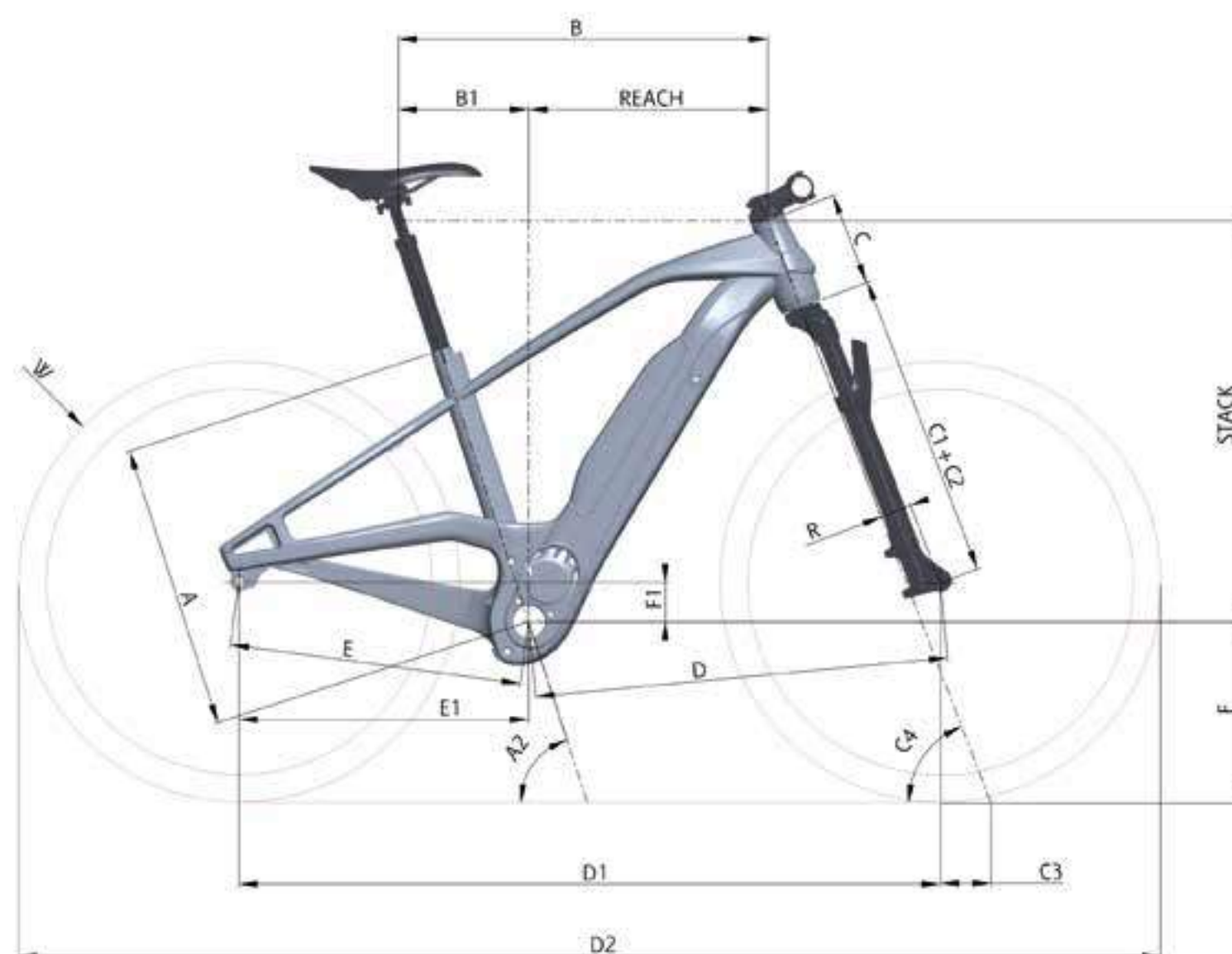


Motor	Yamaha PW S2, Torque/Coppia: 75Nm
Battery	Fantic, Lithium Ion, 36 Volt, 630Wh
Display	Display B Yamaha
Frame	Aluminium, sizes: S - M - L
Fork	Suntour XCR34, travel 100mm
Crankarm	FSA
Groupset	Sram SX Eagle
Cassette	Sram SX, 12V, 11-50
Chain	Sram SX
Front brake	Promax Solve ST 925 hydraulic 2P, 180mm disc
Rear brake	Promax Solve ST 925 hydraulic 2P, 180mm disc
Tires	Vittoria E-Randonneur
Rim and Spokes	GBC 29"
Front hub	GBC, 110mm Boost
Rear hub	GBC, 148mm Boost
Handlebar	GBC 700mm, Rise 20mm
Stem	GBC 70mm
Saddle	Selle Italia S5 Superflow
Seatpost	Promax Suspended Ø30.9
Grips	Urban Gist
Pedals	Aluminium
Front light	Busch Muller
Rear light	Trelock
Locker	Abus
Note	(*)

Sizes	S	M	L
A	430	460	495
A2	72	72	72
B	575	600	620
B1	204	201	216
Reach	371	399	404
Stack	628	618	665
W	28"	28"	28"
C	130	150	170
C1	2	2	2
C2	490	460	490
C3 Trail	92,6	92,2	92,6
C4	69	69	69
R	44	44	44
D	638	662	685
D1	1102	1126	1149
D2	1830	1854	1877
E	471	471,2	471
E1	467	467	467
F	301	301	301
F1	63	63	63
Lever	170	170	170
Stem	70	100	70
Bar	700	700	700
Regg.	350	350	350

(*) FANTIC MOTOR reserves the right to modify technical characteristics without prior notice.
All images are included for illustrative purposes. Products are subject to change.

Living Easy



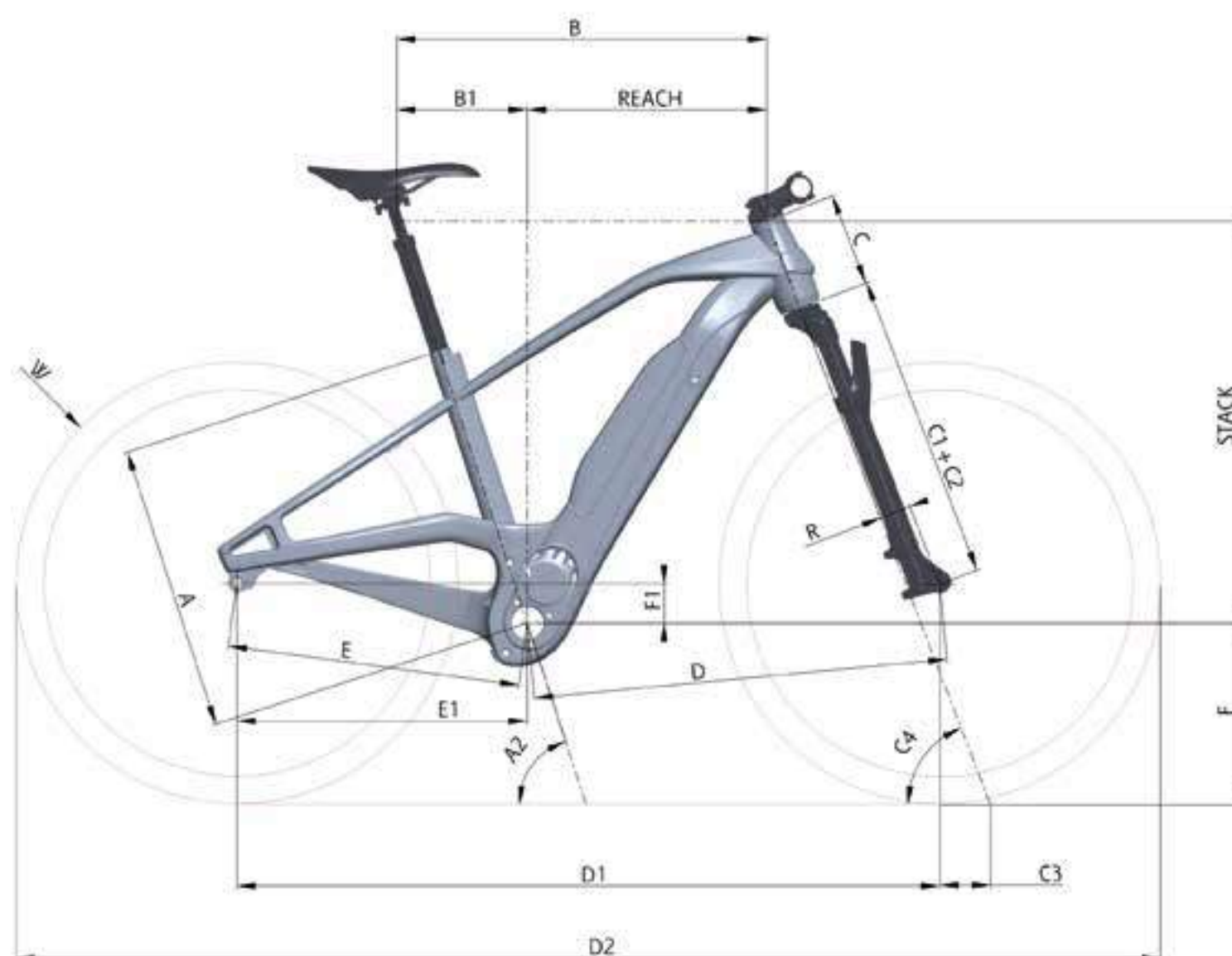
Motor	Yamaha PW S2, Torque/Coppia: 75Nm
Battery	Fantic, Lithium Ion, 36 Volt, 630Wh
Display	Display B Yamaha
Frame	Aluminium, sizes: S-M / L-XL
Fork	Suntour XCR34, travel 100mm
Crankarm	FSA
Groupset	Sram SX Eagle
Cassette	Sram SX, 12V, 11-50
Chain	Sram SX
Front brake	Promax Solve ST 925 hydraulic 2P, 180mm disc
Rear brake	Promax Solve ST 925 hydraulic 2P, 180mm disc
Tires	Vittoria E-Randonneur
Rim and Spokes	GBC 29"
Front hub	GBC, 110mm Boost
Rear hub	GBC, 148mm Boost
Handlebar	GBC 700mm, Rise 20mm
Stem	GBC 70mm
Saddle	Selle Italia Max S5 Superflow
Seatpost	Promax Suspended Ø30.9
Grips	Urban Gist
Pedals	Aluminium
Front light	Busch Muller
Rear light	Trelock
Locker	Abus
Note	(*)

Sizes	S-M	L-XL
A	430	495
A2	72	72
B	575	595
B1	210	216
Reach	365	379
Stack	646,5	665
W	28"	28"
C	150	170
C1	2	2
C2	490	490
C3 Trail	92,6	92,6
C4	69	69
R	44	44
D	639	660
D1	1103	1124
D2	1831	1852
E	471,2	471,2
E1	467	467
F	301	301
F1	63	63
Lever	170	170
Stem	70	70
Bar	700	700
Regg.	350	350

(*) FANTIC MOTOR reserves the right to modify technical characteristics without prior notice.
All images are included for illustrative purposes. Products are subject to change.



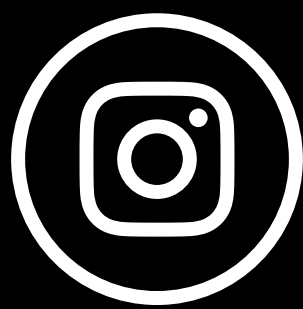
Living City



Motor	Yamaha PW S2, Torque/Coppia: 75Nm
Battery	Fantic, Lithium Ion, 36 Volt, 630Wh
Display	Display B Yamaha
Frame	Aluminium, sizes: S - M - L
Fork	RST Volant, travel 50mm
Groupset	Enviolo City
Crankarm	FSA
Front brake	Promax Solve ST 925 hydraulic 2P, 180mm disc
Rear brake	Promax Solve ST 925 hydraulic 2P, 180mm disc
Tires	Vittoria E-Randonneur
Rim and Spokes	GBC 29" (M-L) - 27.5" (S)
Front hub	GBC, 110mm Boost
Rear hub	GBC, 148mm Boost
Handlebar	GBC 700mm, Rise 20mm
Stem	GBC 70mm
Saddle	Selle Italia T3 Flow
Seatpost	Promax Suspended Ø30.9
Pedals	Aluminium
Front light	Busch Muller
Rear light	Trelock
Locker	Abus
Note	(*)

Sizes	S	M	L
A	430	460	500
A2	72	72	72
B	575	600	625
B1	201	201	207
Reach	374	399	418
Stack	618	618	637
W	27,5"	28"	28"
C	150	150	170
C1	2	2	2
C2	460	460	460
C3 Trail	84,15	92,2	92,2
C4	69	69	69
R	44	44	44
D	637,5	662	688
D1	1101	1126	1152,5
D2	1785	1854	1880,5
E	471,2	471,2	471,2
E1	467	467	467
F	279	301	301
F1	63	63	63
Lever	170	170	170
Stem	100	100	100
Bar	700	700	700
Regg.	350	350	350

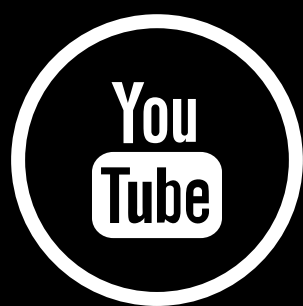
(*) FANTIC MOTOR reserves the right to modify technical characteristics without prior notice.
All images are included for illustrative purposes. Products are subject to change.



@fanticbikes



Fantic Bikes



Fantic Bikes



Fantic Motor



@fanticmotor_official

fantic.com

FANTIC

Fantic,
we design,
engineer
and assemble
high-performance
electric bikes.

Fantic Motor S.P.A.
Via Tarantelli, 7
31030 Dosson di Casier (TV) **Italy**
info@fanticmotor.it
fantic.com